



## Rail-Patch XLR5M

### Category

F) Interface Products

### Description

XLR 5pin (Male) connector to screw terminal contacts



### Mechanical

- Housing: DIN Rail Case
- Material: Polyamide 66 - UL94-V0 rated
- Overall Dimensions: 82mm (H) x 34mm (W) x 54mm (D)
- Mass: 0.1kg
- Mounting: 35mm DIN Rail
- Country of Manufacture: United Kingdom

### Control

- n/a

### Electrical

- n/a

### Isolation / Protection

- n/a

### Environmental

- IP Rating: IP20 Indoor Use Only
- Certification: CE FCC, WEEE, RoHS
- Warranty: 2 Year (Return to Base)

### Package Contents

- Rail-Patch XLR5M

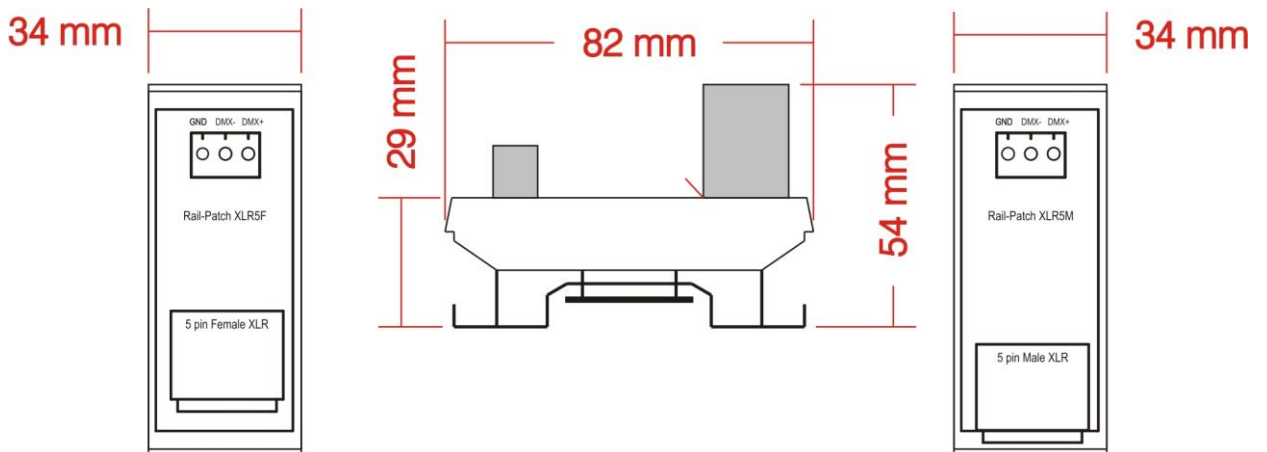
### User Interface / Indication

- Connections:
  - (1) 5pin Male XLR DMX Input
  - (1) 3pin Screw Terminal DMX Output

### Ordering Info

Product Code: Rail-Patch XLR5M

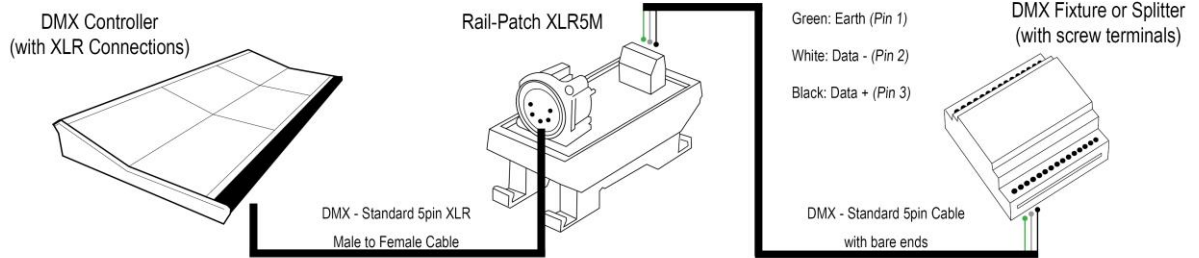
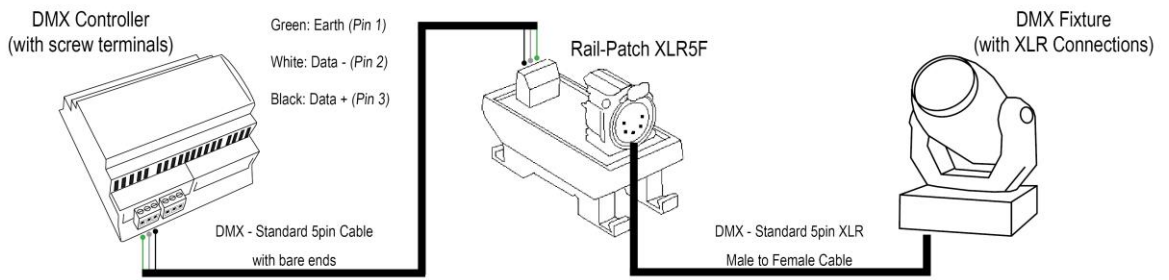
Mounting Drawing



*Artistic Licence*



Wiring Drawing



[www.ArtisticLicence.com](http://www.ArtisticLicence.com)

Artistic Licence, The Mould Making Workshop  
Soby Mews, Bovey Tracey, TQ13 9JG, UK

Sales@ArtisticLicence.com  
Support@ArtisticLicence.com  
Tel: +44 (0) 20 8863 4515

*Due to our policy of continuing product improvement specifications are subject to change without notice*

**Artistic Licence**

Rail-Patch XLR5M