



Rail-DMX-DALI

Category

F) Interface Products

Description

A DIN Rail DMX to DALI Converter capable of converting channels, groups and scenes simultaneously

Mechanical

- Housing: DIN Rail Case
- Material: Lexan Plastic - UL94-V0 rated
- Overall Dimensions: 90mm (H) x 88mm (W) x 58mm (D)
- Mass: 0.2kg
- Mounting: 35mm DIN Rail or Surface Mount
- Country of Manufacture: United Kingdom

Power & Electrical

- Input Voltage: 9-24 VDC
- Input Connector: (1) 2-pin screw terminal
- Input Power (max): 10W
- Duty Cycle: 80% @ 25°C
- DC fuse: internal resettable fuse for control electronics

Environmental

- Operating Temperature: 0°C to 40°C
- Storage Temperature: -10°C to +50°C
- Operating Relative Humidity (max): 80% Non-Condensing
- IP Rating: IP20 Indoor Use Only
- Certification: CE FCC, WEEE, RoHS
- Warranty: 2 Year (Return to Base)

Configuration / Indication

- DIP switch, RDM configuration
- LED indication: Power / DMX Input



Control / Data Connections

- Control: DMX to DALI Conversion (4 circuits, supporting Broadcast, Channel, Group and Scene modes)
- Input Protocols: DMX512, DMX512(1990), DMX512-A, RDM V1.0 (E1.20 - 2006 ESTA Standard)
- Output Protocols: DALI
- Input Connector: (1) 3-pin screw terminal DMX input, (1) 3-pin screw terminal DMX loop
- Output Connector: (4) 2-pin screw terminal DALI outputs

DMX512 input / DALI outputs

- Input mode: non-isolated
- Input ESD protection: 12 kV
- Input voltage protection: +/- 80V
- Output mode: optically isolated

Package Contents

- Rail-DMX-DALI
- User Guide

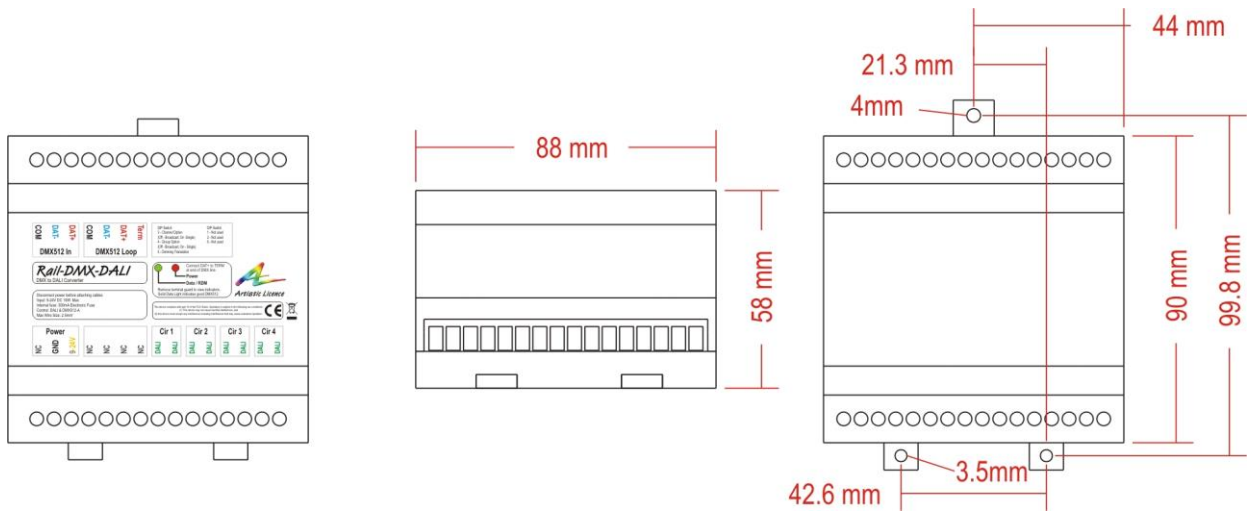
Ordering Info

Product Code: Rail-DMX-DALI

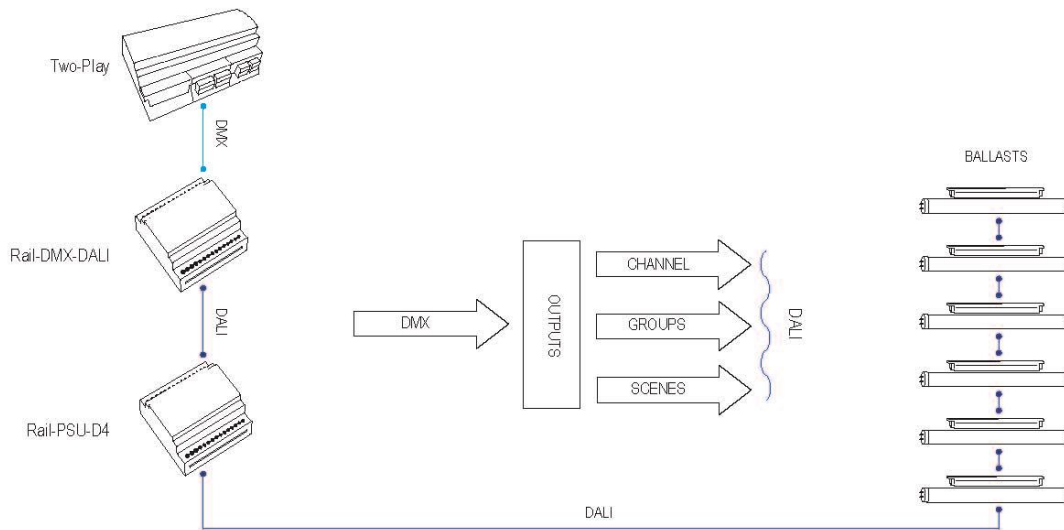
Accessories (not included): PSU-24-2-DR, Rail-PSU-D4, Jump-Start



Mounting Drawing



Application Drawing



www.ArtisticLicence.com

Artistic Licence, The Mould Making Workshop
Soby Mews, Bovey Tracey, TQ13 9JG, UK

Sales@ArtisticLicence.com
Support@ArtisticLicence.com
Tel: +44 (0) 20 8863 4515

Due to our policy of continuing product improvement specifications are subject to change without notice

