



dataLynx II

Category

B) Art-Net 4 and sACN

Description

Art-Net or sACN ethernet to 12 x DMX512 / RDM converter. Also supports DMX to Art-Net / sACN conversion on a per port basis.



Mechanical

- Housing: 19" 1U Rack Enclosure
- Material: Metal
- Overall Dimensions: 1RU (H) x 19" Rack (W) x 150mm (D)
- Mass: 2.8kg
- Mounting: Desktop or 19" Rack Mounting (supplied Rack Ears)
- Country of Manufacture: United Kingdom

Power & Electrical

- Input Voltage: 90-250 VAC
- Input Connector: IEC C13 Male
- Input Power (max): 30W
- Duty Cycle: 100% @ 25°C
- Mains Fuse: Internal 3.15A Slow Blow
- DC fuse: internal resettable fuse for control electronics

Environmental

- Operating Temperature: 0°C to 40°C
- Storage Temperature: -10°C to +50°C
- Operating Relative Humidity (max): 80% Non-Condensing
- IP Rating: IP20 Indoor Use Only
- Certification: CE, WEEE, RoHS
- Warranty: 2 Year (Return to Base)

Configuration / Indication

- Internal Web-Browser or DMX-Workshop
- Manual factory reset / Squawk button
- LED indication: Power / Ethernet Link / Data Activity / Speed

Control / Data Connections

- Ethernet protocols: Art-Net, sACN, RDMnet LLRP
- Ethernet Connector: (1) RJ45 (Ethercon) supports 10/100BaseT, isolated to 1kV
- SFP model supports gigabit (SFP module not included)
- Output Protocols: DMX512, DMX512 (1990), DMX512-A, RDM V1.0 (E1.20 - 2010)
- Input Protocols: DMX512, DMX512 (1990), DMX512-A
- DMX Connector: (12) 5-pin female XLR (options: XLR3 or XLR8)

DMX512 ports

- Output mode: ground referenced
- Output isolation: n/a
- Output ESD protection: 15 kV
- Electrocutation protection: 425 VAC continuous (self-healing)
- Output surge protection (**extreme version only**):
 - GDT conforming to IEC61643-311 (sacrificial)
 - Max IDC: 30,000A (8/20uS) 1 operation;
 - 20,000A (8/20uS) 10 operations;
 - 20A (10/1000uS) 1500 operations

Package Contents

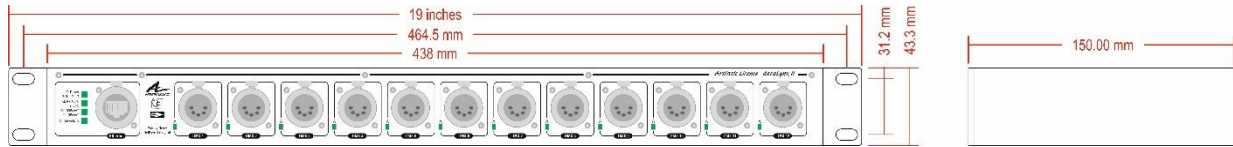
- dataLynx II
- IEC Mains Lead
- Rack-Ears

Ordering Info

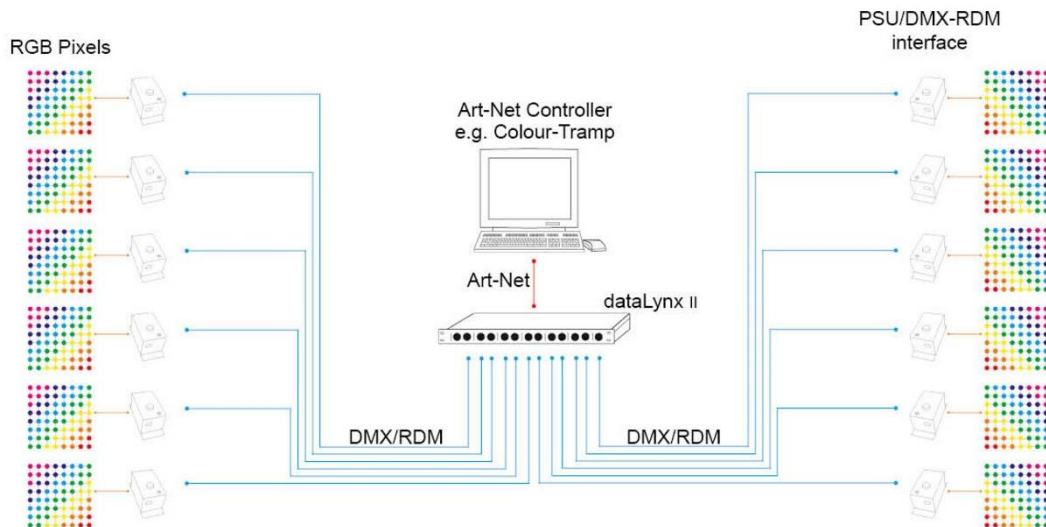
Product Code:
 - dataLynx II xlr3/5/8
 - dataLynx II extreme xlr3/5/8
 - dataLynx II SFP xlr5
 - dataLynx II SFP extreme xlr5



Mounting Drawing



Application Drawing



In this example, dataLynx II converts Art-Net from a Colour-Tramp controller into DMX/RDM data. This is fed into intelligent power supplies for use with an LED pixel product.



www.ArtisticLicence.com

Artistic Licence, The Mould Making Workshop
Soby Mews, Bovey Tracey, TQ13 9JG, UK

Sales@ArtisticLicence.com
Support@ArtisticLicence.com
Tel: +44 (0) 20 8863 4515

Due to our policy of continuing product improvement specifications are subject to change without notice



Artistic Licence

dataLynx II