

Overview:

Power-Hub 4 is housed in a robust extruded case designed to withstand the rigours of touring. An optional adapter allows simple conversion to truss mounting. All data connections use the latching Neutrik Ethercon connector. The front panel provides a comprehensive range of indicators allowing fast fault analysis in show conditions.

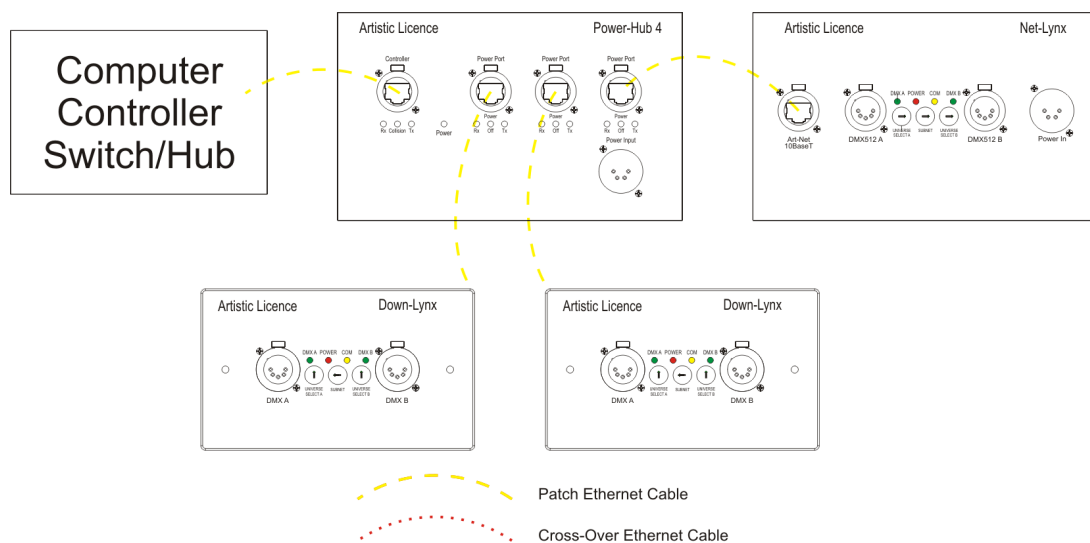
Power-Hub 4 is compatible with all Artistic Licence's Art-Net range of products. The Power-Hub 4 is totally self-managed with no user controls.

The three Ethernet power outputs are designed to detect whether the connected equipment is capable of using power over Ethernet.

Power-Hub 4 is the first powered Ethernet hub specifically designed for the rigours of the entertainment industry.

The product is designed to only support the Artistic Licence range of Art-Net products.

Power-Hub 4 Wiring Diagram:



Indicators: (function of LED's when lit)

Controller Port: Rx – Data being received by the Power-Hub 4
Collision – Ethernet packets colliding
Tx – Data being transmitted to the Power-Hub 4

Power Port's: Rx – Data being received from the device on this port
Off – Power is not being used on this port
Tx – Data being transmitted to the device on this port

Power: Input power indicator

Ethernet wiring:

Ethernet Interface:

Connect to 10BaseT Ethernet Hub using Cat5 or better cable

Wiring Options:

There are two ways of wiring an Ethernet Cable;

- ❑ Patch/Straight
- ❑ Crossover

Each type has their own use and the following table should be used to select the correct option.

Patch/Straight Cable	Cross-Over Cable
Computer to Hub/Switch	Computer to Node
Hub/Switch to Node	Computer to Tour/Insta-Lynx
Hub/Switch to Tour/Insta-Lynx	Hub/Switch to Hub/Switch
Tour-Lynx/Insta-Lynx to Node	Power-Hub 4 to Hub/Switch

Note: Power-Hub 4 is considered the same as a Hub/Switch

A Node is an Ethernet device such as:

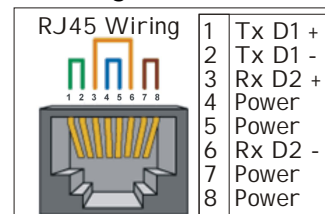
- ❑ Down / Up-Lynx
- ❑ Net-Lynx I /P or O/P
- ❑ Access Points

Wiring Detail:

The following guide should be used if custom Cat5 cables are being used

Straight Cable

1	RX+	White/Orange	←	White/Orange	RX+	1
2	RX-	Orange	←	Orange	RX-	2
3	TX+	White/Green	→	White/Green	TX+	3
4		Blue		Blue		4
5		White/Blue		White/Blue		5
6	TX-	Green	→	Green	TX-	6
7		White/Brown		White/Brown		7
8		Brown		Brown		8



Cross-Over Cable

1	RX+	White/Green	←	White/Orange	RX+	1
2	RX-	Green	←	Orange	RX-	2
3	TX+	White/Orange	→	White/Green	TX+	3
4		Blue		Blue		4
5		White/Blue		White/Blue		5
6	TX-	Orange	→	Green	TX-	6
7		White/Brown		White/Brown		7
8		Brown		Brown		8

The Art-Net Range:

- ❑ Down-Lynx – A wall-mounted panel Ethernet to DMX512 converter. It converts Art-Net Ethernet data into two universes of DMX512. (Available in UK or US formats)
- ❑ Up-Lynx – A wall-mounted panel DMX512 to Ethernet converter. It converts two universes of DMX512 into Art-Net Ethernet data. (Available in UK or US formats)
- ❑ Net-Lynx O/P – A desktop Ethernet to DMX512 converter. It converts Art-Net Ethernet data into two universes of DMX512
- ❑ Net-Lynx I/P – A desktop DMX512 to Ethernet converter. It converts two universes of DMX512 into Art-Net Ethernet data
- ❑ Art-Lynx O/P – A DIN Rail mounted, two universe Art-Net to DMX512/RDM converter
- ❑ Art-Lynx I/P – A DIN Rail mounted, two universe DMX to Art-Net converter
- ❑ Ether-Lynx II – A rack mounted Ethernet to DMX512 converter. It provides the gateway for four DMX512 outputs and two DMX512 inputs over Art-Net
- ❑ Cata-Lynx I/P – A rack mounted DMX to Art-Net converter
- ❑ Cata-Lynx O/P A rack mounted Art-Net to DMX converter capable of processing two universes
- ❑ Tour-Lynx – A rack-mounted (2RU) Mid-Span Power Inserter for 10BaseT Ethernet
- ❑ Art-Switch PoE – A DIN Rail mounted 5 port Ethernet Switch with 4 PoE ports.
- ❑ Rock Solid Ethernet Book – A guide to the world of Ethernet Technology
- ❑ DMX-Workshop – A free windows application that allows the user complete control over an Art-Net network.
- ❑ Net-View – A free Pocket PC version of DMX-Workshop

Artistic Licence

© Artistic Licence Engineering Ltd. 2002

24 Forward Drive

Christchurch Avenue

Harrow

Middlesex

England

HA3 8NT

Tel: +44 (0)20 88 63 45 15

Fax: +44 (0)20 84 26 05 51

Email: Sales@ArtisticLicence.com



The information contained in this document is subject to change without notice. Artistic Licence Engineering Ltd. makes no warranty of any kind with regard to this material, including, but not limited to, the implied warranties of fitness for a particular purpose.

Artistic Licence Engineering Ltd. shall not be liable for errors contained herein or for incidental or consequential damages in connection with the furnishing, performance or use of this material. All trademarks are acknowledged.