

Pixi-Flex User Guide

(Version 3)

Specification:

Input Voltage:	9V DC
Current:	1A
Lenses Dimension:	17mm (dia) x 8mm
Overall Dimension:	34mm (dia) x 20mm
Pitch:	280mm
Connector:	Switchcraft
IP:	IP65
Weight:	350grams
Listings:	CE, FCC
Pixels per Flex:	16
Max number of flex:	2 (per output from controller)
Material:	Polycarbonate
Fire Rating:	UL/94 EN60695-2-1/1 1996 (Glow Wire)



What:

Pixi-Flex receives power and data via a miniature 4 pin cable that allows all 16 pixels to be controlled individually. The product weighs a mere 350 grams, allowing it to push fit into almost any structure. A total of 32 pixels (two Pixi-Flex) can be driven from a single cable. The controllers, Pixi-Power SB11 or Pixi-Power SB12 can control 5 circuits, 10 flex's or 160 pixels in total.

Application:

Pixi-Flex is a perfect solution for colour wall and video wall applications. Its small size, low weight, low heat, IP65 rating and screw mounting capability allow it to be mounted into sets, walls and other architectural features. Combined with Colour-Tramp, Pixi-Flex can display real time video in combination with stunning visual effects.

Flexible:

The flexible cabling and screw mounting or push through option opens a range of applications. Wrapped around columns, Retail window displays, curved or even spherical video walls. You choose!

Control:

Pixi-Flex contains a custom silicon chip that receives high-speed data from the controller. This allows each pixel to be individually controlled at the high speed needed for video display.

Colour:

Artistic Licence regularly receives feedback from customers on their product experience. A regular comment regarding LED technology is that it is very difficult to produce good whites and yellows. Pixi-Flex resolves this, a demonstration is the only way to see the quality of these colours.

Tone:

In designing Pixi-Flex, Artistic Licence has focussed on the task of perfecting the colour mixture and also providing designers with the widest possible range of colour tones. The latter has been achieved by a careful choice of LED primary colours. The results are spectacular with a range of colours that will make the most demanding lighting designer smile!

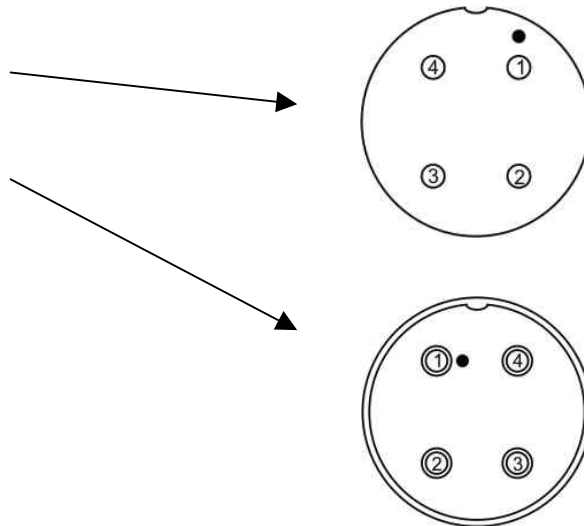
Colour-Coding and Connectors:

In-Connector (Pixi-Flex) - Male
Switchcraft: EN3C4M

Out-Connector (Pixi-Flex) - Female
Switchcraft: EN3L4F

Colour-Coding:

Colour	Type
Red	+9VDC
Yellow	Data
Green	Clock
Black	Ground



Power Supply / Controller Options: (order separately)

The power supply to control Pixi-Flex is:

- ❑ Pixi-Power SB12 – A Truss or Wall mounted controller

Please refer to the separate manuals for modes of operation.

Accessories: (order separately)

There are various accessories that are available

- ❑ Pixi-Flex Cable Extension 1M (Pixi-Flex Ext1)
- ❑ Pixi-Flex Cable Extension 2M (Pixi-Flex Ext2)
- ❑ Pixi-Flex Cable Extension 4M (Pixi-Flex Ext4)
- ❑ Pixi-Flex Cable Spider (used for Pixi-Power SB12) (Pixi-Flex Spider)
- ❑ Pixi-Power SB12 controller (Pixi-Power SB12)

Maximum Cable Distances (from power supply)

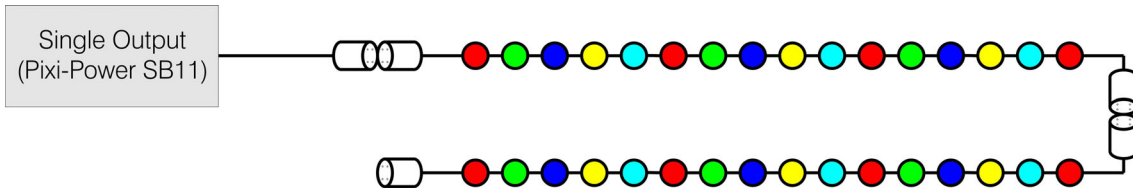
For correct operation of Pixi-Flex please follow the guidelines below:-
(based on using 280mm pitch)

Standard extension cables:

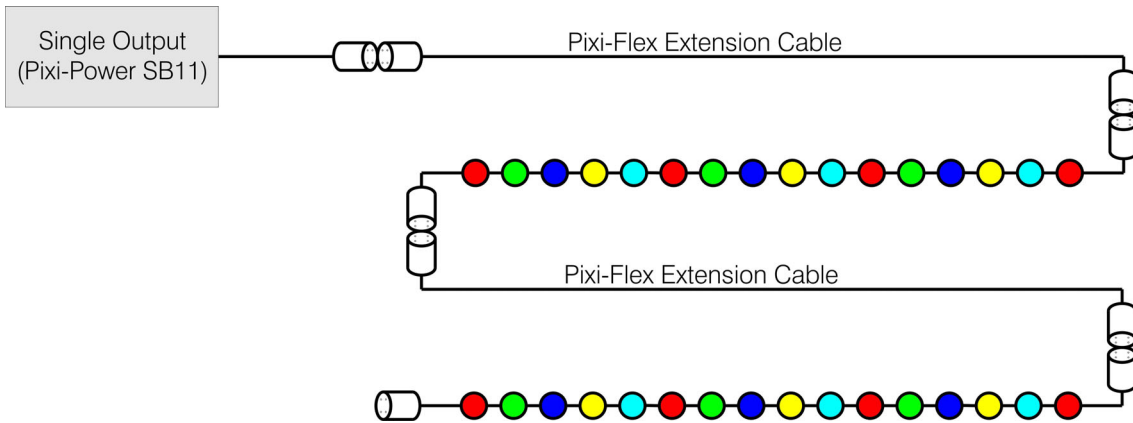
- ❑ Max distance of 25M (two Pixi-Flex's connected)
- ❑ Max distance of 50M (one Pixi-Flex connected)

Wiring Diagrams:

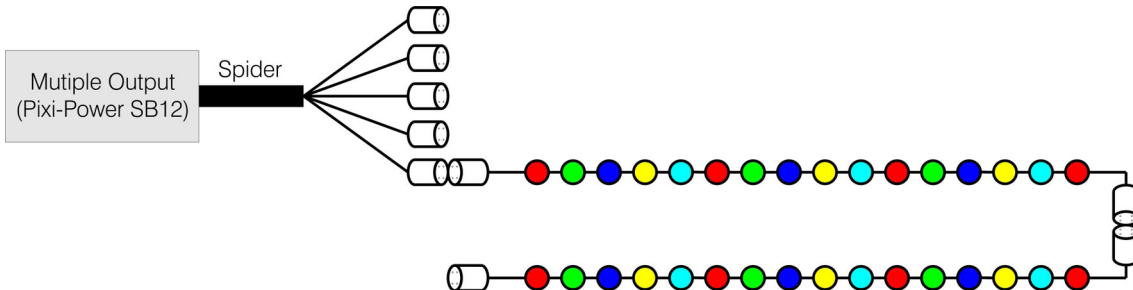
Standard Cable: Using Pixi-Flex Cable Tail to connect to a Pixi-Power SB11.



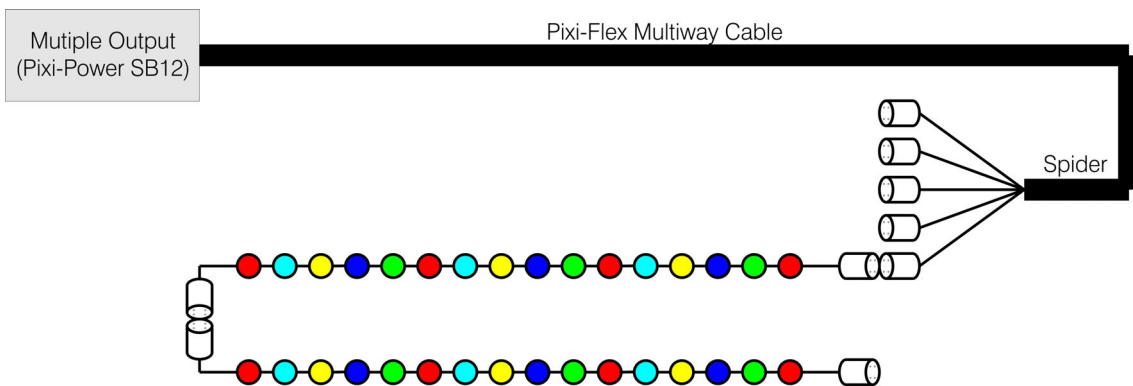
Standard Cable: Using Pixi-Flex Cable Tail to connect to a Pixi-Power SB11 and Pixi-Flex Cable extensions.



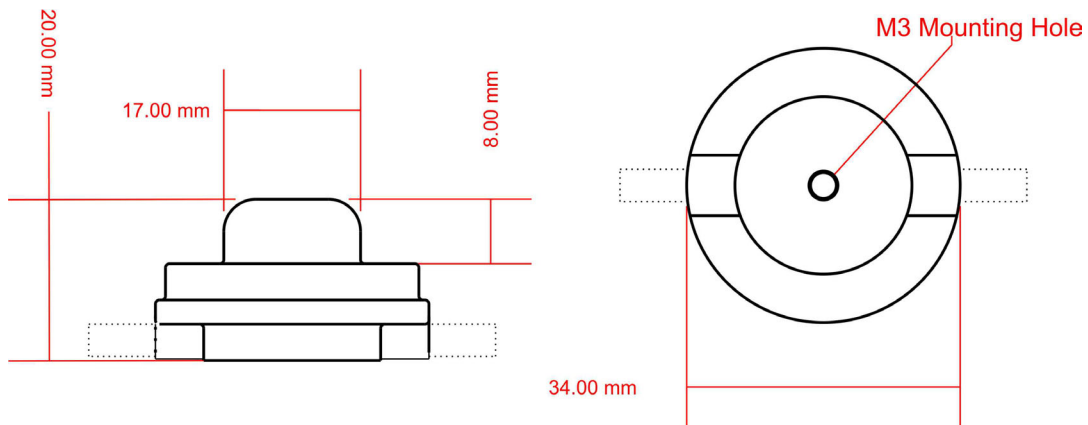
Multiway Cable: Using Pixi-Flex Cable Spider to connect to a Pixi-Power SB12.



Multiway Cable: Using Pixi-Flex Cable Multiway to connect to a Pixi-Power SB12 and then Pixi-Flex Cable Spider to divide into separate outputs.



Dimensions of Single Pixel:



The Active LED Range:

- ❑ Pixi-LED – A self-contained LED colour changer fixture
- ❑ Pixi-Bar – A remarkably versatile 10 pixel colour changer based on the technology of Pixi-LED
- ❑ Pixi-Flex 16/250 – A string on 16 individually controlled Pixels on a 250mm pitch
- ❑ Pixi-Cloth – An LED starcloth with individual pixel control and full colour mixing
- ❑ Pixi-Power L1 – The controller and PSU for Pixi-LED
- ❑ Pixi-Power SB12 – Truss or wall mounted controller and PSU for Pixi-Flex & Pixi-Web
- ❑ Colour-Tramp – A lighting control system specifically designed to handle the complexity of two and three dimensional lighting arrays

Artistic Licence

© Artistic Licence (UK) Ltd. 2005-2006
24 Forward Drive
Christchurch Avenue
Harrow
Middlesex
England
HA3 8NT
Tel: +44 (0)20 88 63 45 15
Fax: +44 (0)20 84 26 05 51
Email: Sales@ArtisticLicence.com



The information contained in this document is subject to change without notice. Artistic Licence (UK) Ltd. makes no warranty of any kind with regard to this material, including, but not limited to, the implied warranties of fitness for a particular purpose.

Artistic Licence (UK) Ltd. shall not be liable for errors contained herein or for incidental or consequential damages in connection with the furnishing, performance or use of this material. All trademarks are acknowledged.