



# Artistic Licence Introducing Art-Range

Artistic Licence has developed Art-Range, a group of products which use the extended triggering features of the Art-Net protocol, along with its ability to stream DMX, to control entire systems, from a simple lighting effect or a multiple zone area, through to a complete server-based venue with local and global controls.

All products in the Art-Range, from Art-Lynx and Art-Sense to the Touch-Control and Push-Control user interfaces, are considered building blocks which may be arranged in any configuration to meet the customer's specific needs.

All of this is made possible by the brains of Art-Range, Art-Play, the playback unit to which all other control devices are connected.

Art-Play and all Art-Range products communicate using Art-Net to trigger events or control other devices; together they create a system as simple or as complex as necessity dictates, giving complete control over every fixture and device.

Art-Range has been designed with hotel, conference centre, entertainment and architectural applications in mind but is invaluable in any sector where integration and precise control is paramount.

Installation is fast and cost-effective as the majority of Art-Range is powered by Power-over-Ethernet (PoE). The range shares common enclosures, connectors and form factor as well as a web-browser interface that ensures each device is fully compatible and interchangeable.

Art-Play and Art-Sense can be programmed to respond to feedback from a comprehensive range of sensors – including a proximity sensor which turns lights on when a room is occupied, and a light sensor which controls the level of lighting to ensure the minimum amount of power is used. It is features such as these which enable Art-Range to minimise operating costs and reduce energy consumption.

## Art-Play

### The brains in the background

The Art-Play playback unit is available as a 1, 2 or 4 Universe unit, with multiple playbacks allowing a maximum of 10 events to run simultaneously.

Art-Play can record 'shows' directly or be programmed from Artistic Licence's Colour-Tramp.

Macros are triggered from a variety of sources including RS232, LTC (Longitudinal Time Code), Contact Closures, Real-Time Clock, MIDI, Art-Net and DALI.

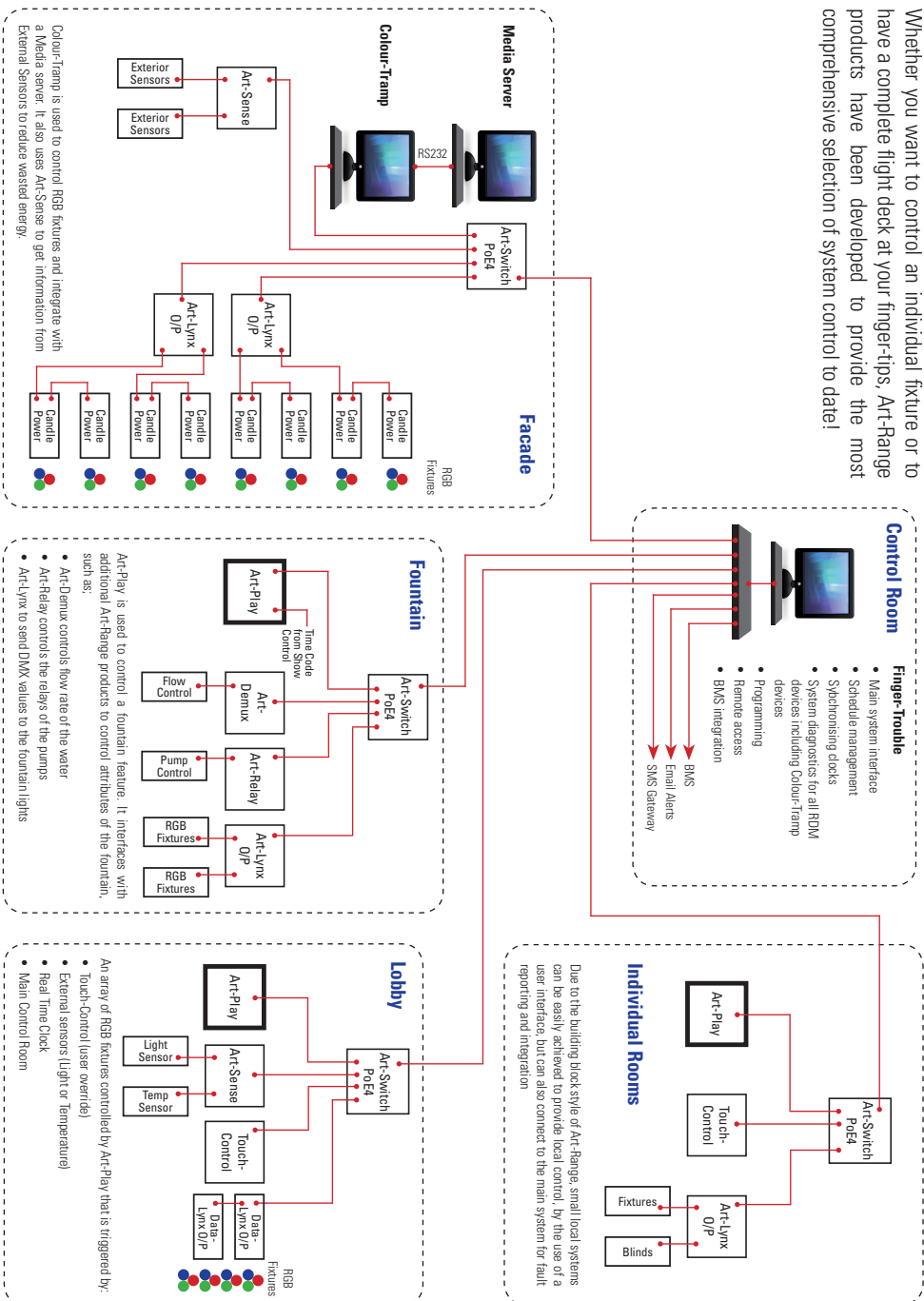
Art-Play can be powered from either the DC input or using a PoE switch, such as Art-Switch PoE4.

Art-Play's new technology enables high performance at an affordable price.



- Case: DIN Rail mounted
- Dimensions: 160mm (wide) x 110mm (tall) x 62mm (depth)
- Power: PoE or DC input (9V to 48V) via push on screw terminal
- Data-Connections (Art-Net): RJ45
- Web-Browser Configuration

Whether you want to control an individual fixture or to have a complete flight deck at your finger-tips, Art-Range products have been developed to provide the most comprehensive selection of system control to date!



## Art-Lynx O/P

### Art-Net to DMX Converter

Art-Lynx is a DIN Rail mounted Art-Net to DMX convertor created especially with the installation market in mind.

Art-Lynx O/P converts Art-Net into two DMX512/RDM universes and serves to connect Art-Play to any DMX system.

Art-Lynx can be powered from either the DC input or using a PoE switch, such as Art-Switch PoE4.

- Case: DIN Rail mounted
- Dimensions: 106mm (wide) x 87mm (tall) x 62mm (depth)
- Power: PoE or DC input (9V to 48V) via push on screw terminal
- Data-Connections (Art-Net): RJ45
- Data Connections (DMX): Push on screw terminal
- Web-Browser Configuration

## Art-Switch PoE4

### An Ethernet PoE Switch

A DIN Rail mounted 5-port Ethernet Switch with 4 PoE ports providing data and power to all the products in the Art-Range.

By providing power and data from a central location, costs are reduced and installation simplified by dispensing with the need to install separate power supplies at remote locations.

- Case: DIN Rail mounted
- Dimensions: 106mm (wide) x 87mm (tall) x 62mm (depth)
- Power: DC input (48V only) via push on screw terminal
- Data-Connections (Art-Net & PoE): RJ45
- Web-Browser Configuration
- 10/100Mb Ethernet Switch

## Touch-Control

### Touch-Screen User Interface

Touch-Control is a configurable, user-friendly, touch-screen interface which sends triggers to Art-Play via Art-Net. Touch-Control provides the ideal control point for non-technical users so ensuring confident operation by the client after installation has been completed.

- User programmable
- Screen saver mode (advertising)
- Simple or graphical playback
- External web page links
- Power: PoE or DC input (12V to 24V) via DC Jack
- UK '2-Gang' style fitting

## Push-Control

### Push Button User Interface

Push-Control is the same form factor as Touch-Control but with buttons replacing the touch screen.

- User programmable Triggers
- Web-Browser Configuration
- LED illuminated buttons
- Power: PoE or DC input (12V to 24V) via DC Jack
- UK '2-Gang' style fitting

## Art-Sense

### Protocol and sensor convertor

Art-Sense builds on the philosophy of Artistic Licence's Eddy Award-winning Common-Sense, and is Art-Range's answer to equipment interfacing and triggering.

Art-Sense monitors the input from various sources including voltage and current inputs, RS232, DALI, Infrared or Contact Closures, and more, and sends out Art-Net trigger packages to Art-Play which then reacts as programmed.

Art-Sense can be employed in retail, museum, presentation, architectural and show control environments which require integration with sensors such as beam break, proximity, temperature and humidity sensors. It can also be integrated with building management systems and other control systems that use RS232 or DALI.

- 8 Opto-isolated inputs
- 2 Analogue 0-5V inputs
- 2 Current 0V to 40mA inputs
- RS232 input
- DALI input
- Infrared handset input
- Configured by Internal Web-Browser
- Power: PoE or DC input (9V to 48V) via push on screw terminal

## Art-Pipe

### Art-Net LED controller

Art-Pipe is an intelligent low voltage, 24-channel dimmer which uses Art-Net to power and control conventional LEDs.

The product is presented in a DIN Rail case which allows rail or surface mounting.

- 24-channel low voltage dimmer
- Uses Artistic Licence's BAM dimming technique
- Remote configuration via Art-Net
- Web-Browser Configuration
- 12V to 48V input/output

## Art-Relay

### Art-Net Relay controller

Art-Relay is a 12-channel Art-Net control relay which is perfect for smoke machines and other equipment that does not provide a useful form of remote control.

Housed in a high impact DIN Rail mounting case, Art-Relay provides 12 mains voltage relays with Art-Net and full remote configuration.

Applications include animatronics, fog machines, theatre practicals, cue lights and video remote control.

- 12-channel mains relay
- Relays rated at 250VAC @ 8A
- Common, Nearly Open, Closed connections
- Web-Browser Configuration
- Power: PoE or DC input (9V to 48V) via push on screw terminal

