



## Sign-Control

### Category

D) Lighting Controllers & Media Convertors

### Description

DIN Rail Mount Lighting Controller with RTC and external contact closure triggers



### Mechanical

- Housing: DIN Rail Case
- Material: Lexan Plastic - UL94-V0 rated
- Overall Dimensions: 90mm (H) x 88mm (W) x 58mm (D)
- Mass: 0.2kg
- Mounting: 35mm DIN Rail or Surface Mount
- Country of Manufacture: United Kingdom

### Power & Electrical

- Input Voltage: 9 - 48 VDC
- Input Connector: (1) 2-pin screw terminal
- Input Power (max): 8 W
- Duty Cycle: 100% @ 25°C
- DC fuse: internal resettable fuse for control electronics

### Environmental

- Operating Temperature: 0°C to 40°C
- Storage Temperature: -10°C to +50°C
- Operating Relative Humidity (max): 80% Non-Condensing
- IP Rating: IP20 Indoor Use Only
- Certification: CE, WEEE, RoHS
- Warranty: 2 Year (Return to Base)

### User interface / LED indication

- (2) Grand Master buttons
- (4) Page / Sequence select buttons
- (8) Memory select / Sequence control buttons
- LED indication: Time base / External triggers / Clock triggers

### Control / Triggering

- Input Protocols: DMX512, DMX512(1990), DMX512-A (for snapshot programming); Custom RS232 (for programming & triggering)
- Output Protocols: DMX512, DMX512(1990), DMX512-A, RDM (for inter-unit comms)
- RS232 connector: (1) 2-pin Jaguar terminal
- RS232 isolation: opto-isolated to 1 kV
- Contact closure connector: (2) 4-pin screw terminal
- Contact closure isolation: opto-isolated to 1 kV
- Clock trigger: (2) internal

### DMX ports

- Input mode: Ground referenced
- Input connector: (1) 3-pin screw terminal
- Loop / Output / Input-term connector: (1) 4-pin screw terminal
- Output mode: ground referenced
- Output ESD protection: 15 kV

### Configuration

- Manual: (6) DIP switches (set master/slave; RDM enable/disable; snapshot/zone programming mode)
- Remote PC application (Sign-Edit) via RS232 input (memory programming; configure buttons, trigger and clock settings)
- DMX512 input: enables snapshot memory programming

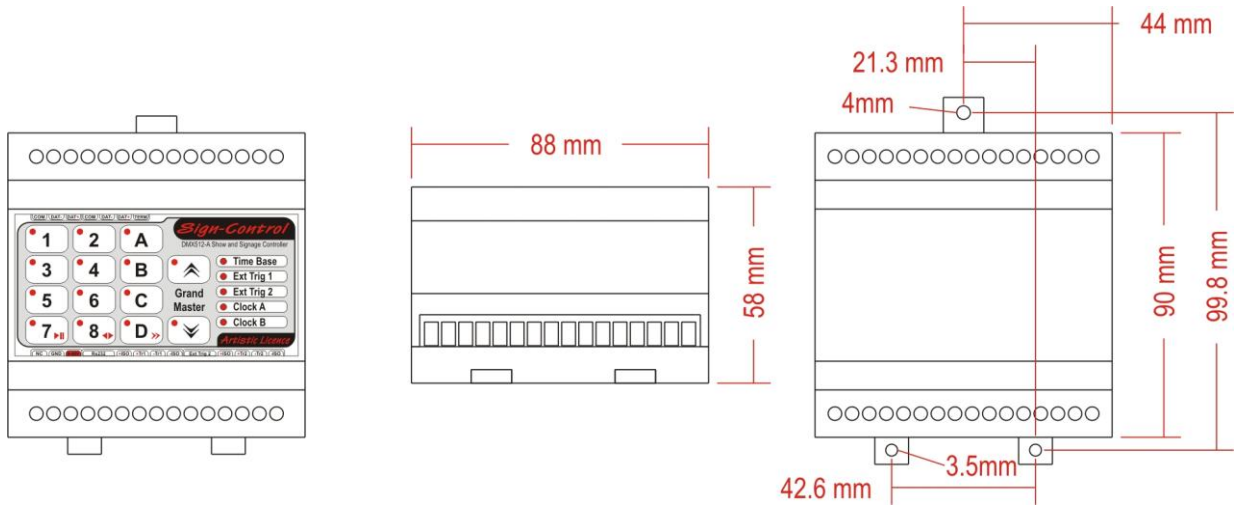
### Ordering Info

Product Code: Sign-Control (includes user guide)

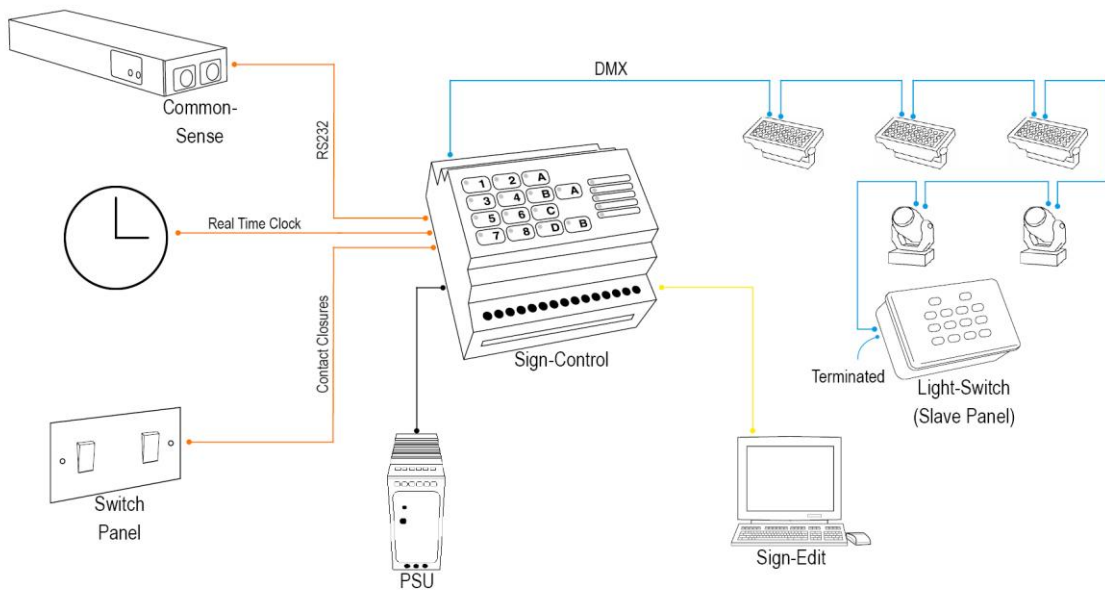
Accessories (not included): PSU-9-1.5-FER, Sign-Edit Kit



Mounting Drawing



Application Drawing



**Artistic Licence Engineering Ltd**

Studio 1, Spectrum House  
32-34 Gordon House Road  
London, NW5 1LP  
United Kingdom  
Telephone +44 (0)20 8863 4515  
Fax +44 (0)20 8426 0551  
Email: Sales@ArtisticLicence.com  
www.ArtisticLicence.com

Customer support and knowledge base:  
[www.ArtisticLicence.com/support.html](http://www.ArtisticLicence.com/support.html)

All products are covered from date of purchase by a two-year return to base warranty.

Due to our policy of continuing product improvement, specifications are subject to change without notice.

