



Rail-Tran

Category

F) Interface Products

Description

DMX512 6 Channel Transistor Driver



Mechanical

- Housing: DIN Rail Case
- Material: Lexan Plastic - UL94-V0 rated
- Overall Dimensions: 90mm (H) x 88mm (W) x 58mm (D)
- Mass: 0.2kg
- Mounting: 35mm DIN Rail or Surface Mount
- Country of Manufacture: United Kingdom

Electrical

- Input Voltage: 9V-48VDC
- Input Connector: Screw Terminal (2.5mm² max wire size)
- Input Power (max): 7.5W
- Duty Cycle: 80% @ 25°C

Environmental

- Operating Temperature: 0°C to 40°C
- Storage Temperature: -10°C to +50°C
- Operating Relative Humidity (max): 80% Non-Condensing
- IP Rating: IP20 Indoor Use Only
- Certification: CE FCC, WEEE, RoHS
- Warranty: 2 Year (Return to Base)

User Interface / Indication

- Connections:
 - (1) 3pin Screw Terminal DMX Input
 - (1) 3pin Screw Terminal DMX Loop
 - (1) 1pin Screw Terminal Terminator
 - (1) 2pin Screw Terminal DC Voltage - Control
 - (1) 2pin Screw Terminal DC Voltage - Output
 - (6) 3pin Screw Terminal Control Outputs
- Configuration: Start Address (via RDM)
- Indication: Power / DMX Input

Control

- Control: 6 channels of Transistor Driver outputs
- Input Protocols:
 - DMX512, DMX512(1990), DMX512-A
 - RDM V1.0 (E1.20 - 2006 ESTA Standard)
- Input Connector: Screw Terminal (2.5mm² max wire size)
- Output Protocols: On / Off Transistor Output
- Output Connector: Screw Terminal (2.5mm² max wire size)
- Configuration: Start Address (via RDM)

Isolation / Protection

- Isolation: DMX Input - Ground Referenced
- Protection:
 - Internal Resettable Fuse - Control Electronics
 - Internal Resettable Fuse - Output
 - +15kV ESD DMX Driver Protection

Package Contents

- Rail-Tran
- User-Guide

Ordering Info

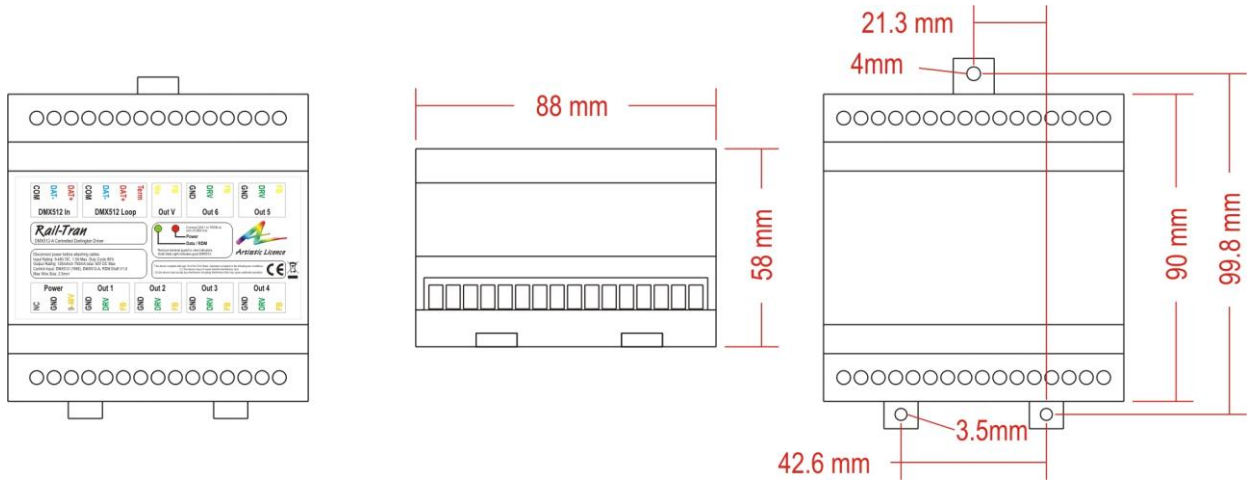
Product Code: Rail-Tran

Accessories (not included):

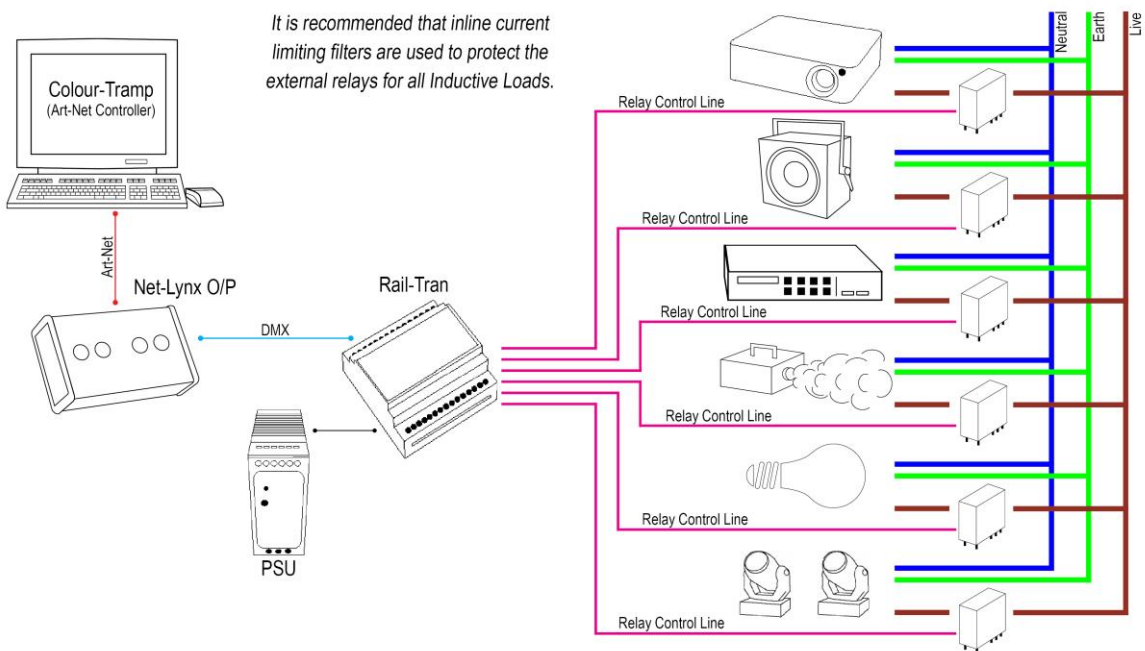
- PSU-9-1.5-FER
- Jump-Start



Mounting Drawing



Wiring Drawing



It is recommended that inline current limiting filters are used to protect the external relays for all Inductive Loads.



Artistic Licence Engineering Ltd

Studio 1, Spectrum House
32-34 Gordon House Road
London, NW5 1LP
United Kingdom

Telephone +44 (0)20 8863 4515
Fax +44 (0)20 8426 0551
Email: Sales@ArtisticLicence.com
www.ArtisticLicence.com

Customer support and knowledge base:
www.ArtisticLicence.com/support.html

All products are covered from date of purchase by a two-year return to base warranty.

Due to our policy of continuing product improvement, specifications are subject to change without notice.

Artistic Licence

Rail-Tran

