



Rail-Switch

Category

E) Interface Products

Description

6 Mains Relays controlled via DMX512 and RDM



Mechanical

- Housing: DIN Rail Case
- Material: Lexan Plastic - UL94-V0 rated
- Overall Dimensions: 90mm (H) x 88mm (W) x 58mm (D)
- Mass: 0.2kg
- Mounting: 35mm DIN Rail or Surface Mount
- Country of Manufacture: United Kingdom
- Relay Mechanical Life: 1,000,000 Cycles

Power & Electrical

- Input Voltage: 9V-24VDC
- Input Connector: (1) 2-pin Screw Terminal DC Voltage Input
- Input Power (max): 10W
- Duty Cycle: 80% @ 25°C
- DC fuse: internal resettable fuse for control electronics

Environmental

- Operating Temperature: 0°C to 40°C
- Storage Temperature: -10°C to +50°C
- Operating Relative Humidity (max): 80% Non-Condensing
- IP Rating: IP20 Indoor Use Only
- Certification: CE FCC, WEEE, RoHS
- Warranty: 2 Year (Return to Base)

Configuration / Indication

- Configuration: Start Address (via RDM)
- Indication: Power / DMX

Control / Connections

- Input Protocols: DMX512, DMX512(1990), DMX512-A, RDM V1.0 (E1.20 - 2006 ESTA Standard)
- Input Connector: (1) 3-pin Screw Terminal DMX Input, (1) 4-pin Screw Terminal DMX Loop / Term
- Output Connector: (6) 3-pin Screw Terminal (Relay Contacts)

Input / Outputs

- DMX input mode: non-isolated
- DMX input ESD protection: 12 kV
- DMX input voltage protection +/- 80V
- Relay output: 240VAC, 8 Amps (non inductive loads)
- Relay style: volt-free
- Relay type: changeover
- Relay isolation: 1 kV between contacts

Package Contents

- Rail-Switch
- User-Guide

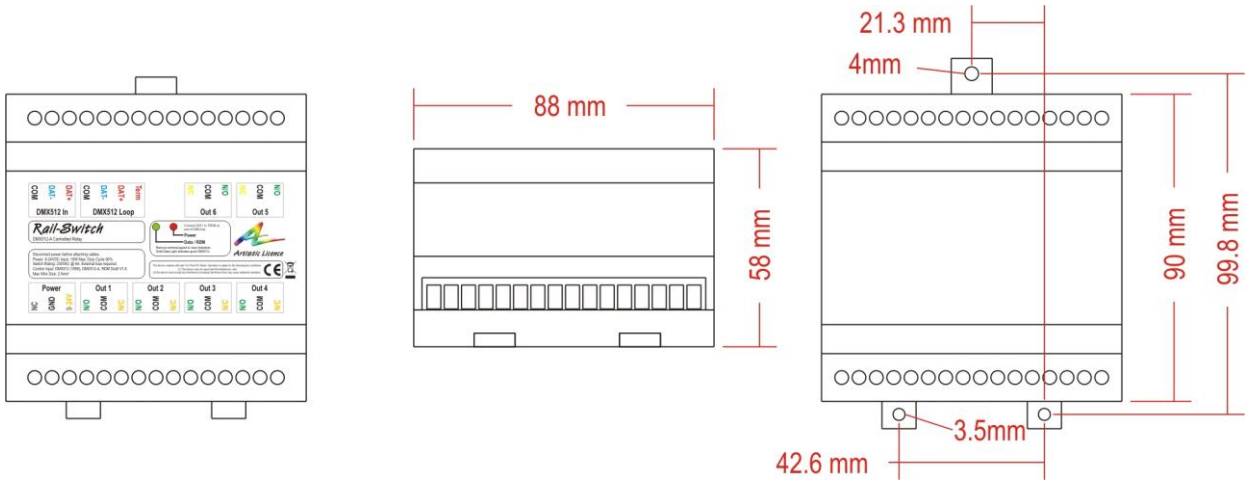
Ordering Info

Product Code: Rail-Switch

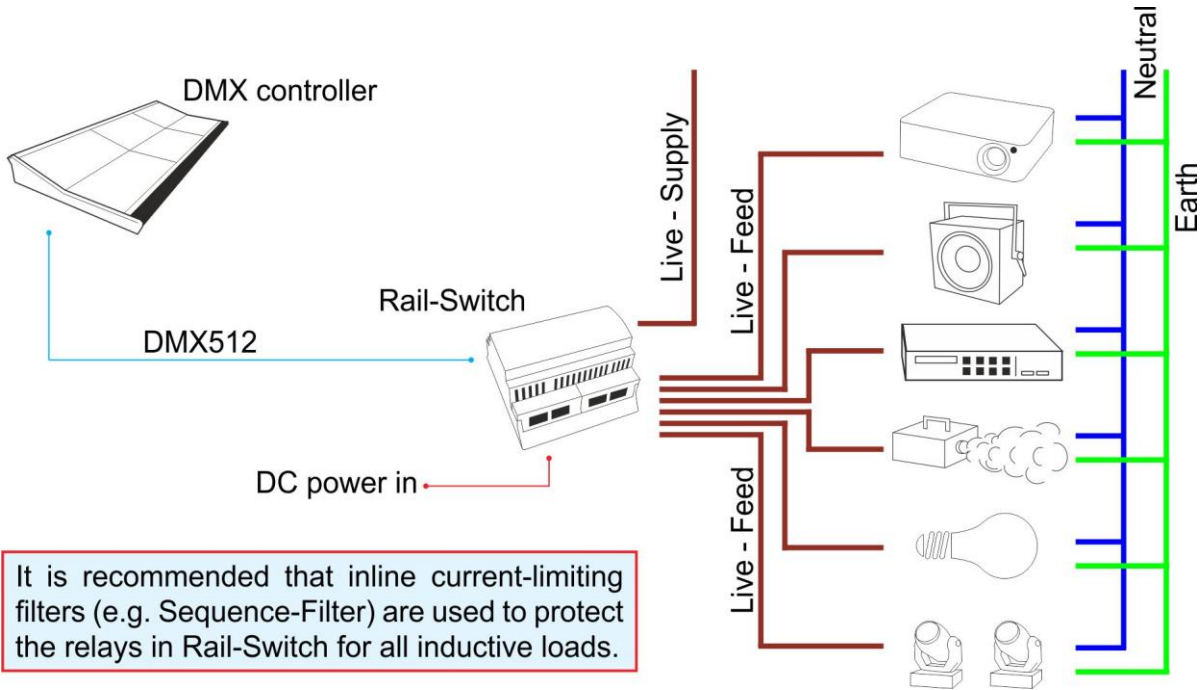
Accessories (not included): PSU-24-2-DR, Sequence Filter



Mounting Drawing



Application Drawing



Artistic Licence Engineering Ltd

Studio 1, Spectrum House
32-34 Gordon House Road
London, NW5 1LP
United Kingdom

Telephone +44 (0)20 8863 4515
Fax +44 (0)20 8426 0551
Email: Sales@ArtisticLicence.com
www.ArtisticLicence.com

Customer support and knowledge base:
www.ArtisticLicence.com/support.html

All products are covered from date of purchase by a two-year return to base warranty.

Due to our policy of continuing product improvement, specifications are subject to change without notice.

