



## Rail-Split RDM

### Category

G) DMX Splitters

### Description

6 port DMX512 splitter, housed in a DIN Rail Enclosure, with support for RDM and HES Talkback.



### Mechanical

- Housing: DIN Rail Case
- Material: Lexan Plastic - UL94-V0 rated
- Overall Dimensions: 88mm (W) x 90mm (H) x 58mm (D)
- Mass: 0.25kg
- Mounting: 35mm DIN Rail or Surface Mount
- Country of Manufacture: United Kingdom

### Electrical

- Input Voltage: 9V-48VDC
- Input Connector: Screw Terminal (2.5mm<sup>2</sup> max wire size)
- Input Power (max): 8W
- Duty Cycle: 80% @ 25°C

### Environmental

- Operating Temperature: 0°C to 40°C
- Storage Temperature: -10°C to +50°C
- Operating Relative Humidity (max): 80% Non-Condensing
- IP Rating: IP20 Indoor Use Only
- Certification: CE FCC, WEEE, RoHS
- Warranty: 2 Year (Return to Base)

### User Interface / Indication

- Connections:
  - (1) 3pin Screw Terminal DMX Input
  - (1) 3pin Screw Terminal DMX Loop
  - (1) 2pin Screw Terminal DC Voltage Input
  - (6) 3pin Screw Terminal DMX Output
- Indication: Power / DMX / RDM

### Control

- Control: 6 Port DMX / RDM Splitter
- Input Protocols:
  - DMX512, DMX512(1990), DMX512-A
  - RDM V1.0 (E1.20 - 2006 ESTA Standard)
  - High End Systems Talkback
- Input Connector: Screw Terminal (2.5mm<sup>2</sup> max wire size)
- Output Protocols: Same as input
- Output Connector: Screw Terminal (2.5mm<sup>2</sup> max wire size)

### Isolation / Protection

- Isolation:
  - DMX Input Opto-Isolated to 1kV
  - DMX Output - Ground Referenced
- Protection:
  - Internal Resettable Fuse - Control Electronics
  - +15kV ESD DMX Driver Protection

### Package Contents

- Rail-Split RDM
- User Guide

### Ordering Info

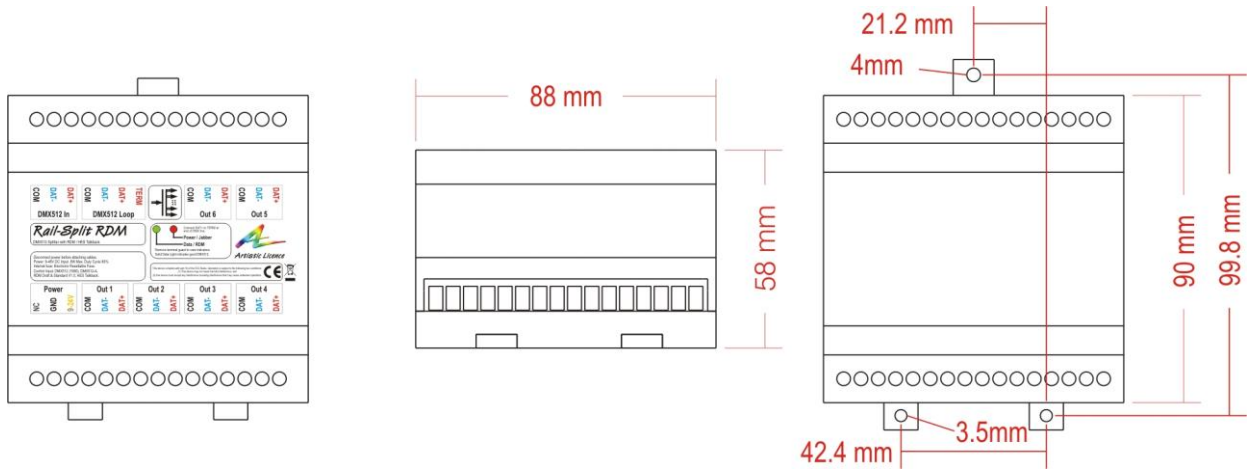
Product Code: Rail-Split RDM

Accessories (not included):

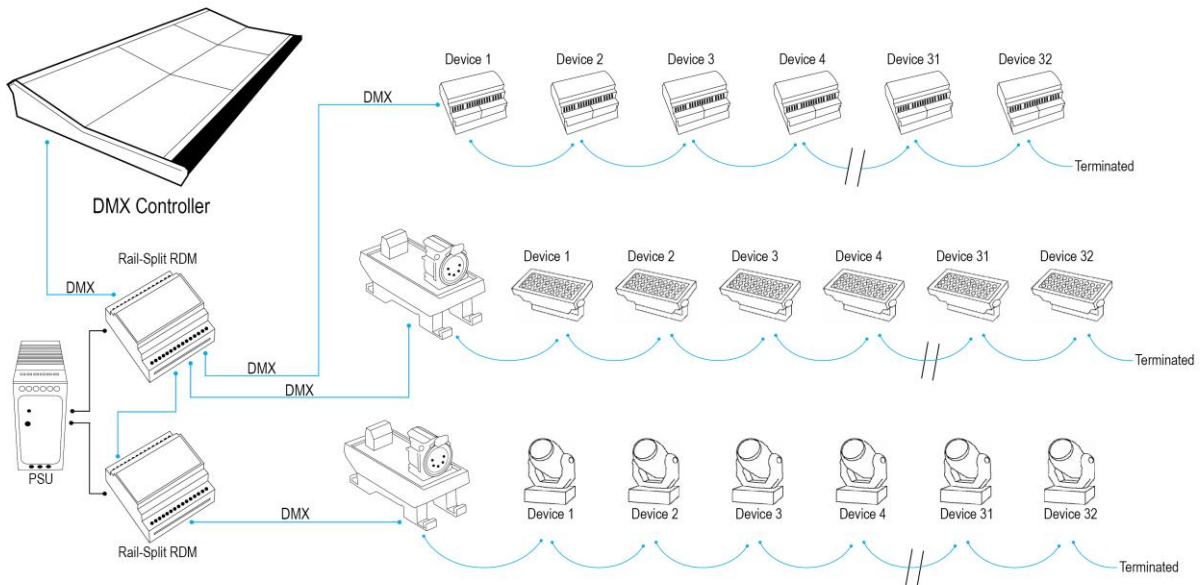
PSU-9-1.5-FER



## Mounting Drawing



## Wiring Drawing



### Artistic Licence Engineering Ltd

Studio 1, Spectrum House  
32-34 Gordon House Road  
London, NW5 1LP  
United Kingdom

Telephone +44 (0)20 8863 4515  
Fax +44 (0)20 8426 0551  
Email: [Sales@ArtisticLicence.com](mailto:Sales@ArtisticLicence.com)  
[www.ArtisticLicence.com](http://www.ArtisticLicence.com)

Customer support and knowledge base:  
[www.ArtisticLicence.com/support.html](http://www.ArtisticLicence.com/support.html)

All products are covered from date of purchase by a two-year return to base warranty.

Due to our policy of continuing product improvement, specifications are subject to change without notice.

## Artistic Licence

