



## Rail-Pipe HC

### Category

F1) LED - Constant Voltage

### Description

6 Channel High Power Low Voltage Dimmer for Constant Voltage LEDs



### Mechanical

- Housing: DIN Rail Case
- Overall Dimensions: 88mm (W) x 90mm (H) x 58mm (D)
- Mass: 0.2kg
- Mounting: DIN Rail or Surface Mount
- Country of Manufacture: United Kingdom

### Power & Electrical

- Input Voltage: 12-24 VDC
- Input Connector: (1) 4pin Screw Terminal DC Voltage Input
- Input Power (max): 240W
- Input Fuse: (2) internal 20mm slow-blow 10A fuse
- Duty Cycle: 80% @ 25°C

### Environmental

- Operating Temperature: 0°C to 40°C
- Storage Temperature: -10°C to +50°C
- Operating Relative Humidity (max): 80% Non-Condensing
- IP Rating: IP20 Indoor Use Only
- Certification: CE FCC, WEEE, RoHS
- Warranty: 2 Year (Return to Base)

### Configuration / Indication

- Configuration (via RDM, Sub-Devices x 2): Start Address; Dimming Personality (8-bit PWM, 12-bit PWM, 8-bit PRPM or 16-bit PRPM); Test Mode (all outputs on/off)
- Indication: Power / DMX Input / RDM locate / Test Mode

### Control / Connections

- Input Protocols: DMX512, DMX512(1990), DMX512-A, RDM (Standard V1.0)
- Input Connector: (1) 3-pin Screw Terminal DMX Input, (1) 4-pin Screw Terminal DMX Loop / Term
- Output Connector: (2) 8-pin Screw Terminal (RGB connection)

### Input / Outputs

- DMX input mode: non-isolated
- DMX input ESD protection: 15kV
- CV Output Voltage: identical to input voltage
- CV Output Current: 10A (per RGB Output), 5A (single channel)
- CV Modulation: Pseudo Random Pulse Modulation (PRPM) or Pulse Width Modulation (PWM)
- Dimming Resolution: 8-bit, 12-bit or 16-bit

### Package Contents

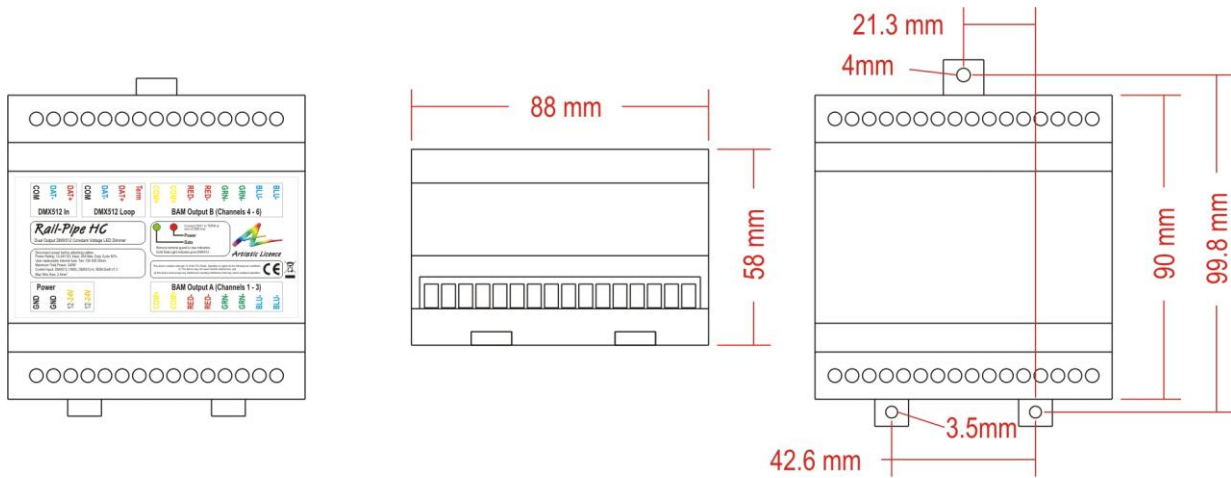
- Rail-Pipe HC
- User Guide

### Ordering Info

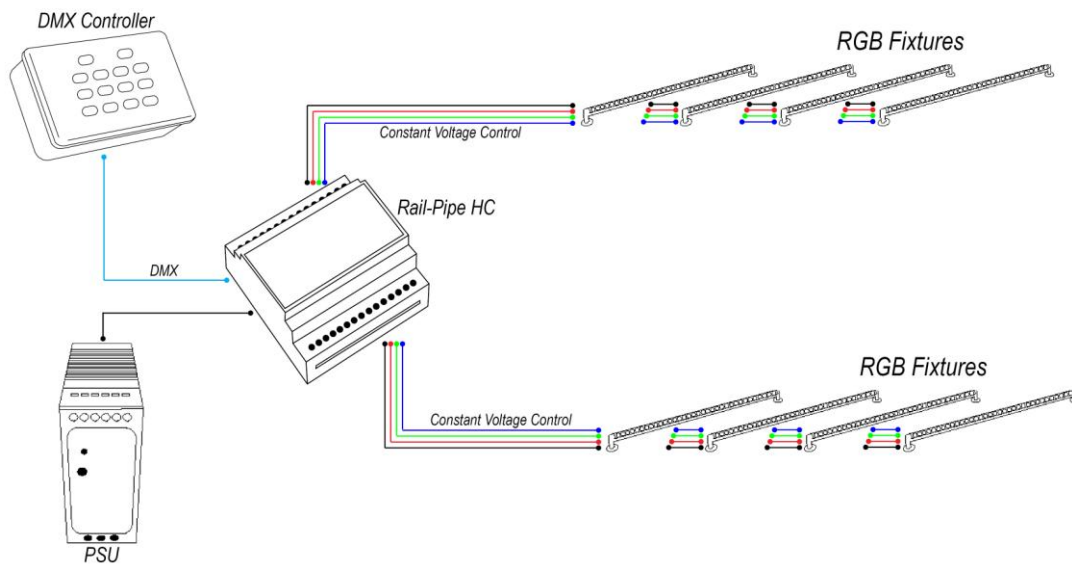
Product Code: Rail-Pipe HC  
Accessories (not included): PSU-24-10-DR



Mounting Drawing



Application Drawing



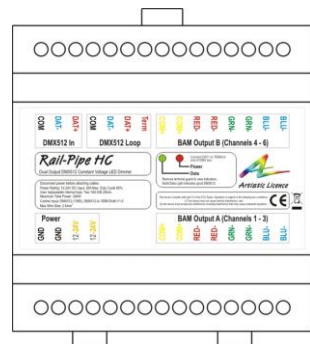
**Artistic Licence Engineering Ltd**

Studio 1, Spectrum House  
32-34 Gordon House Road  
London, NW5 1LP  
United Kingdom  
Telephone +44 (0)20 8863 4515  
Fax +44 (0)20 8426 0551  
Email: [Sales@ArtisticLicence.com](mailto:Sales@ArtisticLicence.com)  
[www.ArtisticLicence.com](http://www.ArtisticLicence.com)

Customer support and knowledge base:  
[www.ArtisticLicence.com/support.html](http://www.ArtisticLicence.com/support.html)

All products are covered from date of purchase by a two-year return to base warranty.

Due to our policy of continuing product improvement, specifications are subject to change without notice.



**Artistic Licence**

Rail-Pipe HC