



Rail-Contact

Category

E) Interface Products

Description

DMX Trigger with 8 Opto-Isolated Inputs and cascade option



Mechanical

- Housing: DIN Rail Case
- Material: Lexan Plastic - UL94-V0 rated
- Overall Dimensions: 90mm (H) x 88mm (W) x 58mm (D)
- Mass: 0.2kg
- Mounting: 35mm DIN Rail or Surface Mount
- Country of Manufacture: United Kingdom

Power & Electrical

- Input Voltage: 9 - 24 VDC
- Input Connector: (1) 3-pin screw terminal
- Output Connector: (1) 3-pin screw terminal (current limited to 250 mA)
- Input Power (max): 10W
- Duty Cycle: 80% @ 25°C
- DC fuse: Internal resettable fuse for control electronics

Environmental

- Operating Temperature: 0°C to 40°C
- Storage Temperature: -10°C to +50°C
- Operating Relative Humidity (max): 80% Non-Condensing
- IP Rating: IP20 Indoor Use Only
- Certification: CE FCC, WEEE, RoHS
- Warranty: 2 Year (Return to Base)

Indication

- LED indication: DMX in / DMX out / Power

Contact closures

- Type: (8) Opto-isolated contacts
- Connectors: (8) 2-pin screw terminal
- Input isolation: 1 kV

DMX512 input/output

- Protocols: DMX512, DMX512(1990), DMX512-A
- Input Connector: (1) 3-pin screw terminal
- Loop/Term Connector: (1) 4-pin screw terminal
- Output Connector: (1) 3-pin screw terminal
- Input mode: non-isolated
- Input ESD protection: 12 kV
- Input voltage protection: +/- 80 V
- Output mode: ground referenced
- Output ESD protection: 2 kV

Package Contents

- Rail-Contact
- User Guide

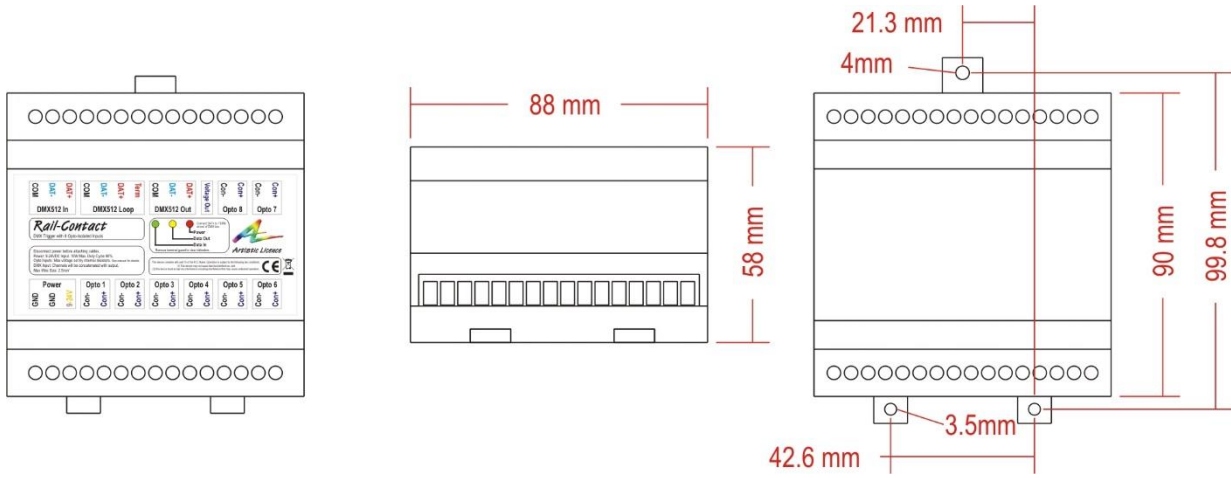
Ordering Info

Product Code: Rail-Contact

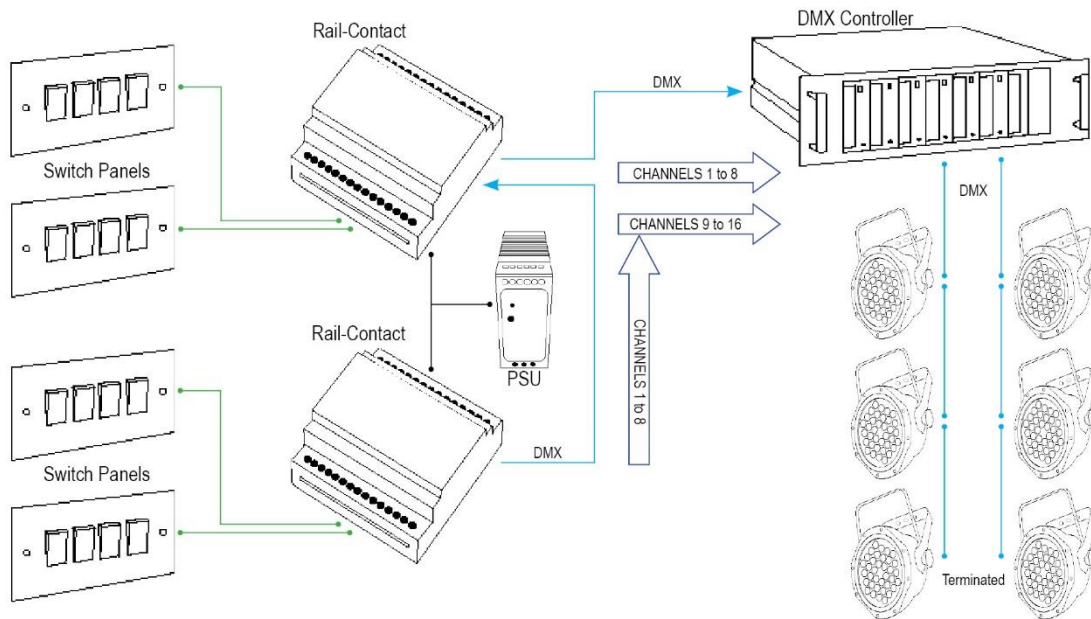
Accessories (not included): PSU-9-1.5-FER, PSU-24-2-FER



Mounting Drawing



Application Drawing



Artistic Licence Engineering Ltd

Studio 1, Spectrum House
32-34 Gordon House Road
London, NW5 1LP
United Kingdom

Telephone +44 (0)20 8863 4515
Fax +44 (0)20 8426 0551
Email: Sales@ArtisticLicence.com
www.ArtisticLicence.com

Customer support and knowledge base:
www.ArtisticLicence.com/support.html

All products are covered from date of purchase by a two-year return to base warranty.

Due to our policy of continuing product improvement, specifications are subject to change without notice.

Artistic Licence

Rail-Contact

