



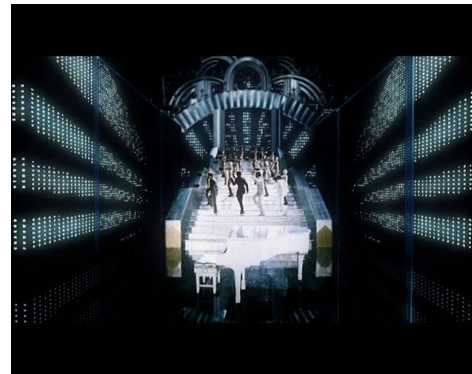
Multichrome Web high res

Category

F3) LED - Pixel

Description

Modular, flexible and transparent web of pixels



Mechanical

- Housing:
 - 64 pixels at 125mm pitch
- Material: Lexan PC Plastic - UL94-V0 Fire Rated
- Overall Dimensions:
 - 1M2
 - LED pitch is maintained when using multiple webs
- Mass: 2.4kg
- Mounting: Buckles on each side of the web
- Country of Manufacturer: United Kingdom

Electrical

- Input Voltage: 9V
- Input Connector: (2) 4pin Switchcraft Connector
- Input Power (max): 36W
- Duty Cycle: 80% @ 25°C

Environmental

- Operating Temperature: 0°C to +40°C
- Storage Temperature: -20°C to +50°C
- Operating Relative Humidity (max): 80% Non-Condensing
- Certification: CE, WEEE, RoHS
- Warranty: 2 Year (Return to Base)

User Interface / Indication

- Connections:
 - (1) 4pin Male Switchcraft Power & Data In

Control

- Control: 64 RGB pixels
- Input Protocols: Custom Pixel Data Protocol
- Input Connector: (2) 4pin Male Switchcraft

Pitch

- 125mm pitch (centre to centre)

Package Contents

- Multichrome Web high res
- User Guide

Ordering Info

Product Code:

Multichrome Web high res

Accessories (not included):

Multichrome D1

Multichrome E1

Multichrome E2

Multichrome Spider

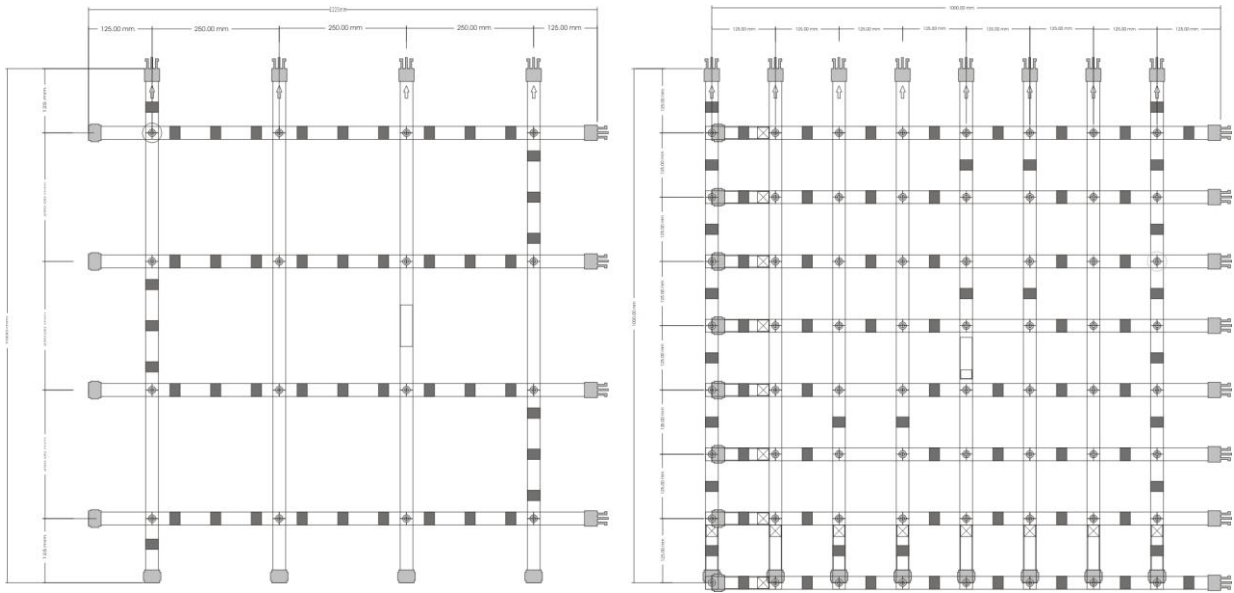
Multichrome Flex Extension

Multichrome Web Fly Set

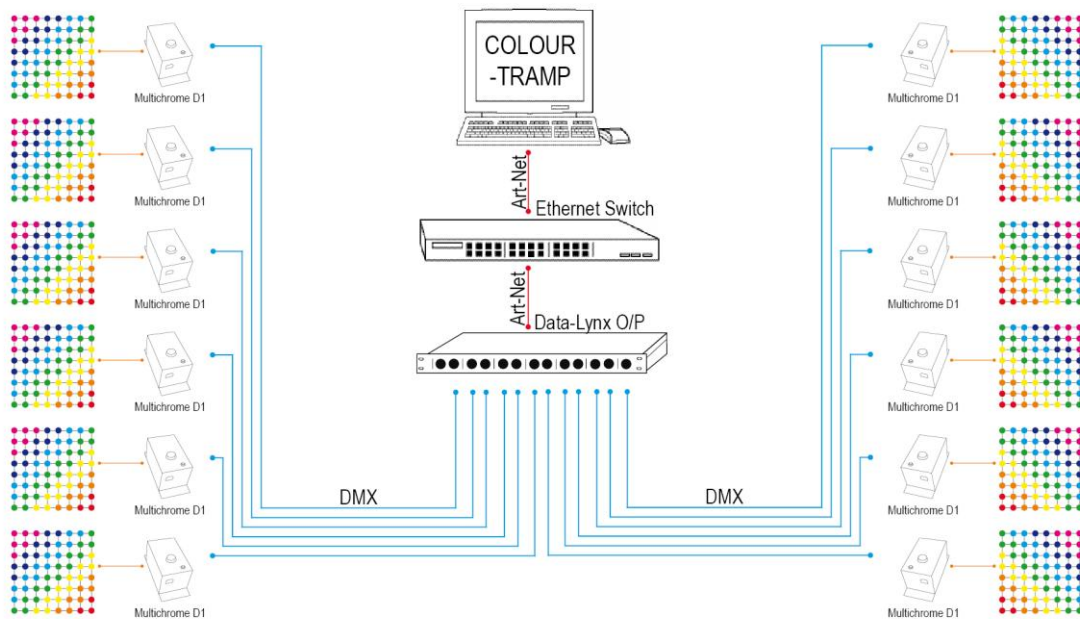
Artistic Licence



Mounting Drawing



Application Drawing



Artistic Licence Engineering Ltd

Studio 1, Spectrum House
32-34 Gordon House Road
London, NW5 1LP
United Kingdom

Telephone +44 (0)20 8863 4515
Fax +44 (0)20 8426 0551

Email: Sales@ArtisticLicence.com
www.ArtisticLicence.com

Customer support and knowledge base:
www.ArtisticLicence.com/support.html

All products are covered from date of purchase by a two-year return to base warranty.

Due to our policy of continuing product improvement, specifications are subject to change without notice.



Artistic Licence

Multichrome Web high res