



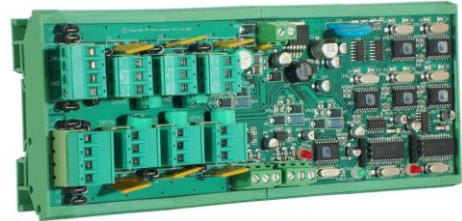
LMX6

Category

F) Interface Products

Description

DIN Rail DMX Controller for Philips iColor Flex range



Mechanical

- Housing: DIN Rail Case
- Material: Polycarbonate Plastic - UL94-V0 rated
- Overall Dimensions: 203mm (W) x 82mm (H) x 50mm (D)
- Mass: 0.4kg
- Mounting: 35mm DIN Rail
- Country of Manufacture: United Kingdom

Electrical

- Input Voltage: 24V DC
- Input Connector: 4pin Screw Terminal Push Connector
- Input Power (max): 250W
- Output Voltage: 24V DC
- Duty Cycle: 80% @ 25°C
- Mains Earthing: Connection Spade

Environmental

- Operating Temperature: +5°C to +30°C
- Storage Temperature: -10°C to +40°C
- Operating Relative Humidity (max): 15%-85% non-condensing
- IP Rating: IP20 Indoor Use Only
- Certification: CE FCC, WEEE, RoHS
- Warranty: 2 Year (Return to Base)

User Interface / Indication

- Connections:
 - (2) 3pin Screw Connector Data In
 - (2) 4pin Screw Push Connector Power In
 - (6) 3pin Screw Push Connector Power & Data Out
 - (1) Spade Earth Connection
 - (1) 2pin Screw Connector Power Out
- Indication:
 - Power (for each Universe)
 - DMX In (for each Universe)

Control

- Control: 300 Pixel Control using two DMX Universes
- Input Protocols: DMX512, DMX512(1990), DMX512-A
- Input Connector: (2) Screw Terminal (2.5mm² max wire size)
- Output Protocols: Philips Chromasic
- Output Connector: (6) Push Screw Terminal (2.5mm² max wire size)

Isolation / Protection

- Isolation: DMX Input - Ground Referenced
- Protection:
 - Internal Resettable Fuse - Control Electronics
 - +15kV ESD DMX Driver Protection

Package Contents

- LMX6
- (2) 4pin Screw Terminal Push Connector (input power)
- (6) 3pin Screw Terminal Push Connector (outputs)
- User-Guide

Ordering Info

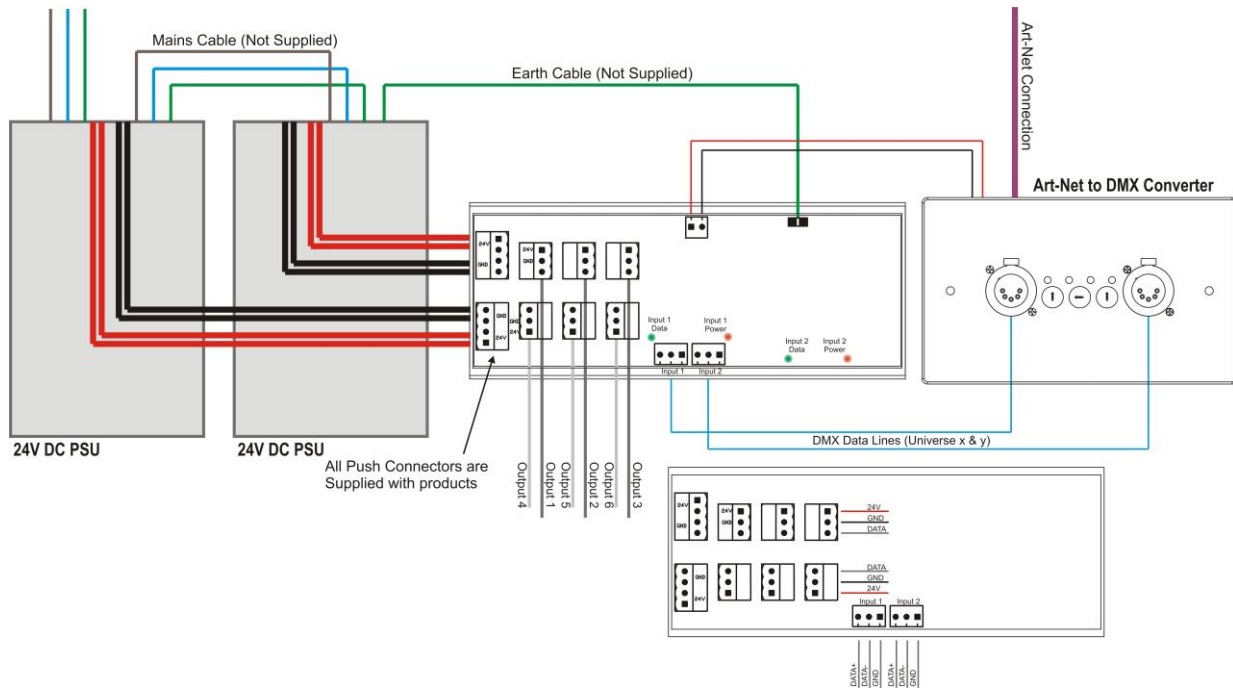
Product Code: LMX6

Accessories (not included):

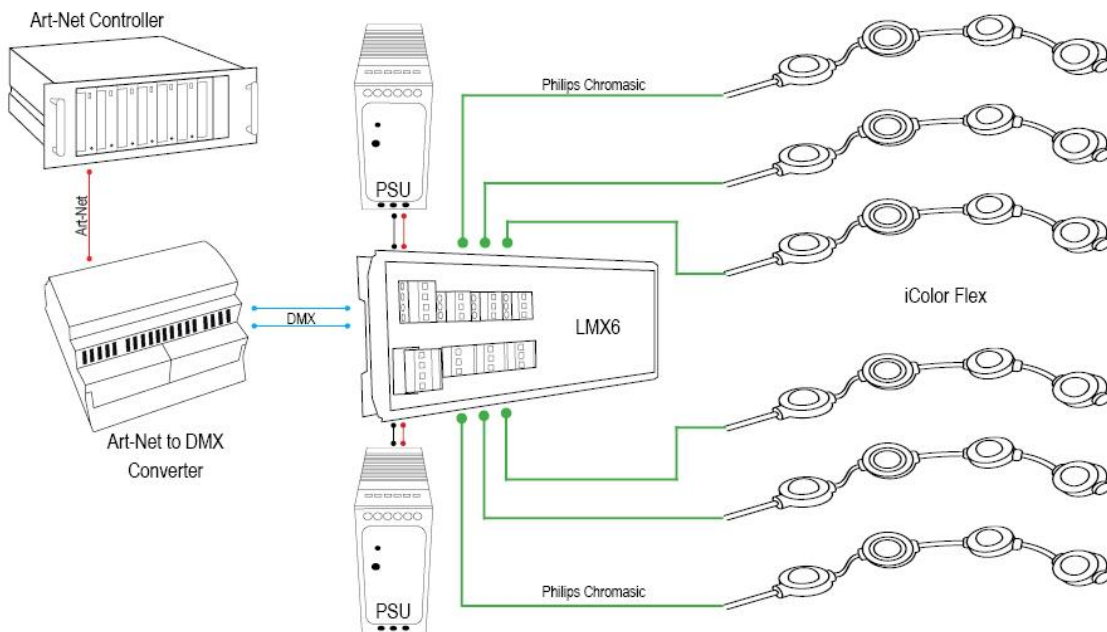
PSU-24-10-DR



Mounting Drawing



Wiring Drawing



Artistic Licence Engineering Ltd

Studio 1, Spectrum House
32-34 Gordon House Road
London, NW5 1LP
United Kingdom

Telephone +44 (0)20 8863 4515
Fax +44 (0)20 8426 0551
Email: Sales@ArtisticLicence.com
www.ArtisticLicence.com

Customer support and knowledge base:
www.ArtisticLicence.com/support.html

All products are covered from date of purchase by a two-year return to base warranty.

Due to our policy of continuing product improvement, specifications are subject to change without notice.

Artistic Licence