



lightJuice CV4

Category

F1) LED - Constant Voltage

Description

Art-Net or sACN ethernet controlled, 4-channel LED low voltage dimmer



Mechanical

- Material: Plastic
- Overall Dimensions: 175 mm (W) x 47 mm (H) x 93 mm (D)
- Mass: 0.3 kg
- Mounting: Desktop
- Country of Manufacture: United Kingdom

Power & Electrical

- Input Voltage: 24 VDC
- Input Connector: 2-pin screw terminal
- Input Power (max): 72W
- Duty Cycle: 90%
- DC fuse: Internal resettable fuse for control electronics

Environmental

- Operating Temperature: 0°C to 30°C
- Storage Temperature: -10°C to +50°C
- Operating Relative Humidity (max): 50% Non-Condensing
- IP Rating: IP20 Indoor Use Only
- Certification: CE, WEEE, RoHS
- Warranty: 2 Year (Return to Base)

Configuration / Indication

- Configuration: Internal Web-Browser or DMX-Workshop
- LEDs: Power / Link / Data Activity / Ch 1 mimic

Control / Ethernet Connection

- Input Protocols: Art-Net, sACN
- Ethernet Connector: (1) RJ45 (supports 10/100BaseT)
- Isolation: 1 kV
- PoE supported (PoE++ and uPOE)

Outputs

- Dimming: Constant Voltage, 4 channels (1 RGBW circuit)
- Connectors: (1) 8-pin screw terminal (RGBW connection)
- Voltage: 24 VDC
- Max Current: 3A (subject to PSE)
- Modulation: Pulse Width Modulation
- Protection: Short-circuit protected

Package Contents

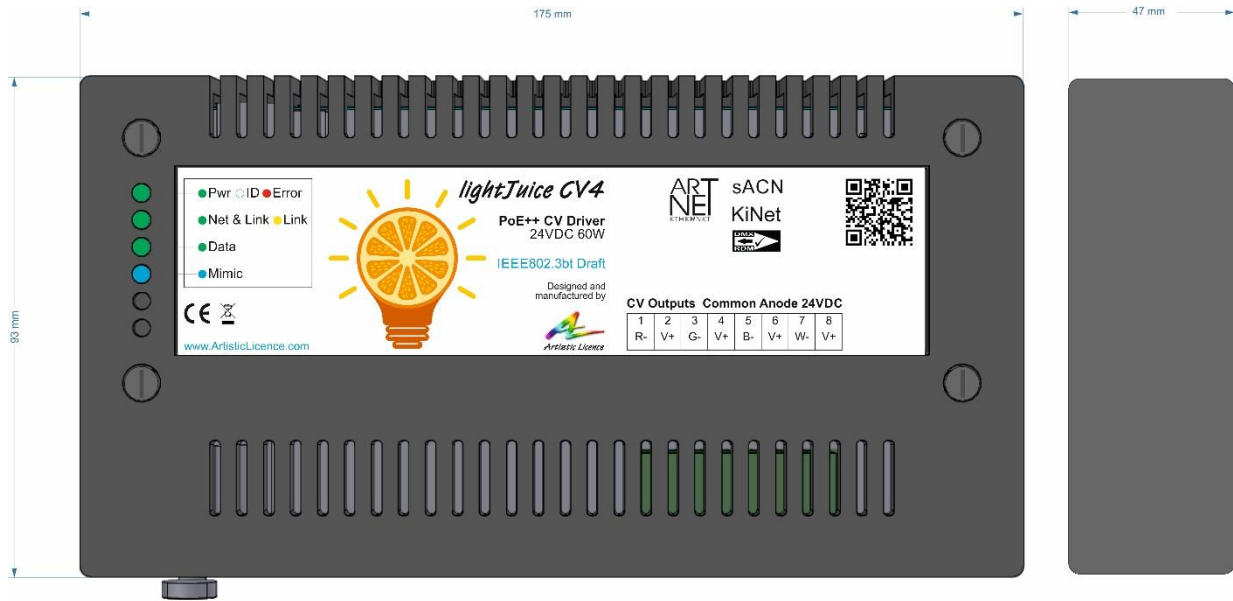
- lightJuice CV4
- DC power connector
- User Guide

Ordering Info

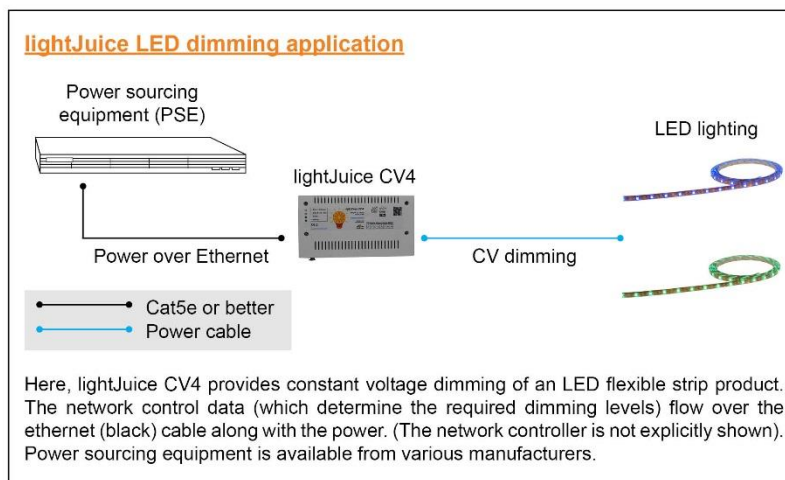
Product Code: lightJuice CV4



Mounting Drawing



Application Drawing



Artistic Licence Engineering Ltd

Studio 1, Spectrum House
32-34 Gordon House Road
London, NW5 1LP
United Kingdom

Telephone +44 (0)20 8863 4515
Fax +44 (0)20 8426 0551
Email: Sales@ArtisticLicence.com
www.ArtisticLicence.com

Customer support and knowledge base:
www.ArtisticLicence.com/support.html

All products are covered from date of purchase by a two-year return to base warranty.

Due to our policy of continuing product improvement, specifications are subject to change without notice.

Artistic Licence

lightJuice CV4