



## *Ether-Lynx II*

### Category

C) Ethernet and Art-Net

### Description

Art-Net or sACN Ethernet to DMX512 (4 outputs) and DMX512 (2 inputs) to Art-Net converter. RDM supported with Art-Net.



### Mechanical

- Housing: 19" 1U Rack Enclosure
- Material: Metal
- Overall Dimensions: 1RU (H) x 19" Rack (W) x 257mm (D)
- Mass: 2.5Kg
- Mounting: Desktop or 19" Rack Mounting (with supplied Rack Ears)
- Country of Manufacture: The United Kingdom

### Power & Electrical

- Input Voltage: 90-250 VAC
- Input Connector: IEC C13 Male
- Input Power (max): 30W
- Duty Cycle: 80% @ 25°C
- Input Fuse: 3.15A Slow Blow
- DC fuse: internal resettable fuse for control electronics

### Environmental

- Operating Temperature: 0°C to 40°C
- Storage Temperature: -10°C to +50°C
- Operating Relative Humidity (max): 80% Non-Condensing
- IP Rating: IP20 Indoor Use Only
- Certification: CE FCC, WEEE, RoHS
- Warranty: 2 Year (Return to Base)

### Configuration / Indication

- Remote: Web-browser, DMX Workshop
- Manual: Wheels / Jumpers
- Configurable settings include: Net, Sub-Net, Universe, IP Address (DHCP), DMX output profile, ROM boot, RDM disable
- LED indication: Power / Ethernet Link / Data Activity / Speed

### Control

- Control: 2 Universes (input) / 4 Universes (output)
- Input Protocols: Art-Net, sACN, DMX512, DMX512(1990), DMX512-A
- Output Protocols: Art-Net, DMX512, DMX512(1990), DMX512-A, RDM V1.0 (E1.20 - 2006 ESTA Standard)
- Ethernet connector: (2) RJ45 (Ethercon) support 10/100BaseT, isolated to 1kV
- DMX input connector: (2) 5-pin male XLR
- DMX loop connector: (2) 5-pin female XLR
- DMX output connector: (4) 5-pin female XLR

### DMX512 Ports

- Input mode: Optically isolated
- Input isolation: 1 kV
- Input ESD protection: +/- 12kV
- Input voltage protection: +/- 80V
- Output mode: ground referenced
- Output isolation: n/a
- Output ESD protection: +/- 12 kV
- Output voltage protection: +/- 80V
- Output conditioning: slew-rate limited

### Package Contents

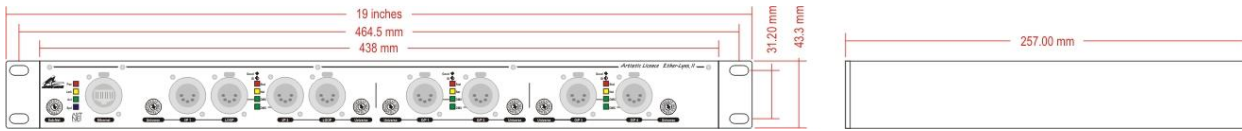
- Ether-Lynx II
- User Guide
- IEC Mains Lead
- Rack-Ears
- Jumpers (for configuration pins)

### Ordering Info

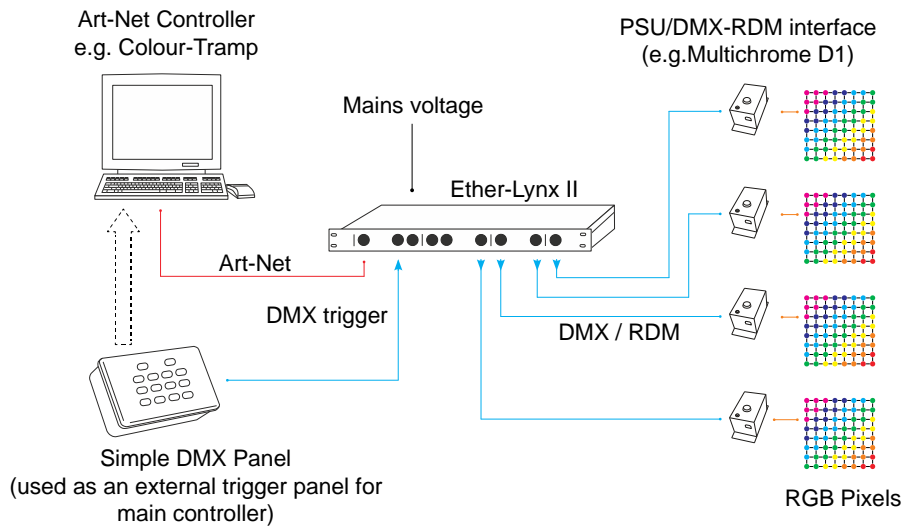
Product Code: Ether-Lynx II



Mounting Drawing



Application Drawing



A Colour-Tramp controller is running a show on an LED pixel product driven by intelligent power supplies (such as Multichrome D1). The system responds to triggers from an external DMX panel. Ether-Lynx II forms the interface between all elements of the system: it converts the panel DMX signals into Art-Net for triggering Colour-Tramp, and converts the Art-Net show programme into DMX/RDM for consumption by the intelligent PSUs driving the fixtures.



**Artistic Licence Engineering Ltd**

Studio 1, Spectrum House  
32-34 Gordon House Road  
London, NW5 1LP  
United Kingdom  
Telephone +44 (0)20 8863 4515  
Fax +44 (0)20 8426 0551  
Email: [Sales@ArtisticLicence.com](mailto:Sales@ArtisticLicence.com)  
[www.ArtisticLicence.com](http://www.ArtisticLicence.com)

Customer support and knowledge base:  
[www.ArtisticLicence.com/support.html](http://www.ArtisticLicence.com/support.html)

All products are covered from date of purchase by a two-year return to base warranty.



Due to our policy of continuing product improvement, specifications are subject to change without notice.

**Artistic Licence**

Ether-Lynx II