



Duo-Split RDM

Category

G) DMX Splitters

Description

2 input / 8 output DMX Splitter/Fixer with RDM support, housed in a 1U 19" rack case



Mechanical

- Housing: 19" 1U Rack Enclosure
- Material: Metal
- Overall Dimensions: 1RU (H) x 19" Rack (W) x 257mm (D)
- Mass: 2.8kg
- Mounting: Desktop or 19" Rack Mounting (supplied Rack Ears)
- Country of Manufacture: United Kingdom

Electrical

- Input Voltage: 90 - 250V AC
- Input Connector: IEC C13 Male
- Input Power (max): 250W
- Duty Cycle: 80% @ 25°C
- Mains Earthing: Case connected to Mains Earth
- Mains Fuse: 3.15A Slow Blow

Environmental

- Operating Temperature: 0°C to 40°C
- Storage Temperature: -10°C to +50°C
- Operating Relative Humidity (max): 80% Non-Condensing
- IP Rating: IP20 Indoor Use Only
- Certification: CE FCC, WEEE, RoHS
- Warranty: 2 Year (Return to Base)

User Interface / Indication

- Connections:
 - (2) 5pin Male XLR DMX Input
 - (2) 5pin Female XLR DMX Loop
 - (8) 5pin Female XLR DMX Outputs
 - (1) IEC C13 Male Mains Input
- Indication: Power / Data / RDM (for both inputs)

Control

- Control: 2 input / 8 Output DMX / RDM Splitter
- Input Protocols:
 - DMX512, DMX512(1990), DMX512-A
 - RDM V1.0 (E1.20 - 2006 ESTA Standard)
- Input Connector: 5pin Male XLR
- Output Protocols:
 - Split Mode: Same as input
 - Fix Mode: DX512 Only with following timings:
 - RDM is ignored, Refresh=33Hz, Brk=250uS,
 - MaB=30uS, P=30mS, C=512, MbB=30uS
- Output Connector: 5pin Female XLR
- Configuration: Input selection switch (x8)
- Split / Fix selection switch (x2)

Isolation / Protection

- Isolation:
 - DMX Input Opto-Isolated to 1kV
 - DMX Output - Ground Referenced
- Protection:
 - Mains 3.15A Slow Blow Fuse
 - Internal Resettable Fuse - Control Electronics
 - +15kV ESD DMX Driver Protection

Package Contents

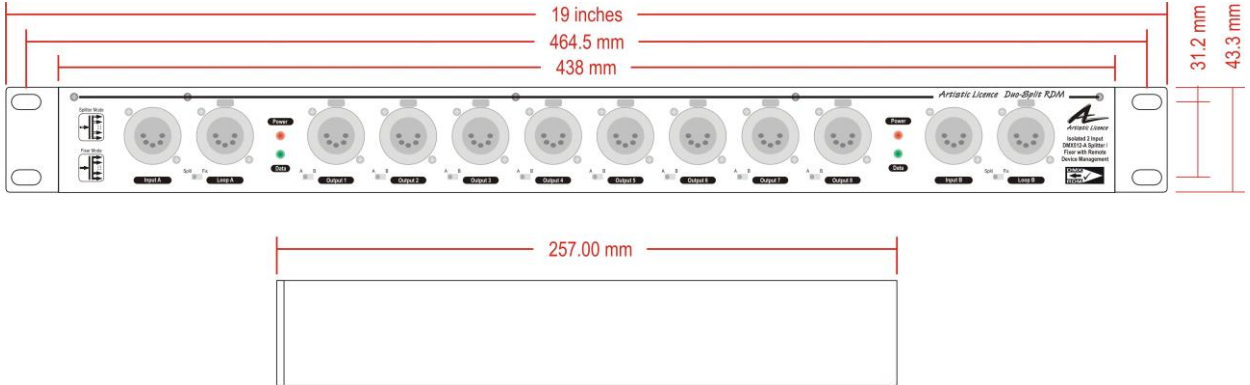
- Duo-Split RDM
- User Guide
- IEC Mains Lead

Ordering Info

Product Code: Duo-Split RDM

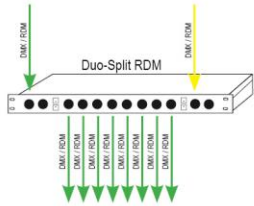


Mounting Drawing



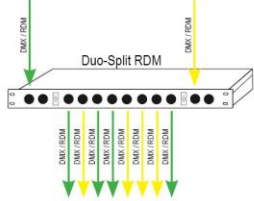
Wiring Drawing

1 Universe Splitter Configuration



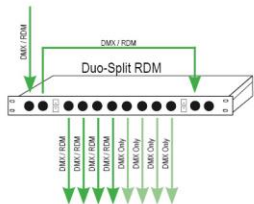
Output	Input Select
1	A
2	A
3	A
4	A
5	A
6	A
7	A
8	A
Input A:	Split Mode
Input B:	N/A

2 Universe Splitter Configuration

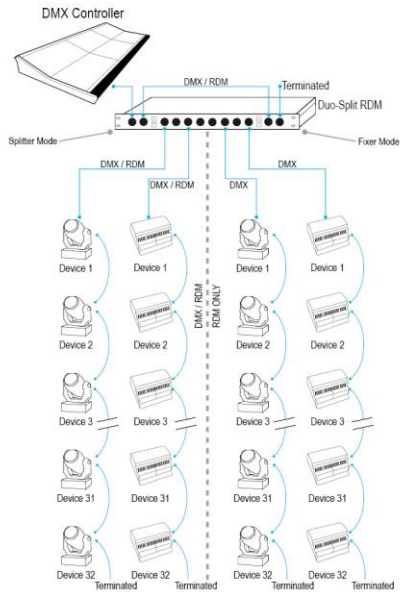


Output	Input Select
1	A
2	B
3	A
4	A
5	B
6	B
7	B
8	A
Input A:	Split Mode
Input B:	Split Mode

1 Universe Split / Fix Combination



Output	Input Select
1	A
2	A
3	A
4	A
5	B
6	B
7	B
8	B
Input A:	Split Mode
Input B:	Fix Mode



Splitter & Fixer Mode from a single source



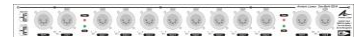
Artistic Licence Engineering Ltd

Studio 1, Spectrum House
32-34 Gordon House Road
London, NW5 1LP
United Kingdom

Telephone +44 (0)20 8863 4515
Fax +44 (0)20 8426 0551
Email: Sales@ArtisticLicence.com
www.ArtisticLicence.com

Customer support and knowledge base:
www.ArtisticLicence.com/support.html

All products are covered from date of purchase by a two-year return to base warranty.



Due to our policy of continuing product improvement, specifications are subject to change without notice.

Artistic Licence

Duo-Split RDM