



DMX-Clarify XLR

Category

A) DMX Splitters & Wireless DMX

Description

A DMX line booster / buffer with active data fixing

Mechanical

- Housing: Metal Desktop Case
- Material: Steel
- Overall Dimensions: 88mm (W) x 58mm (H) x 42mm (D)
- Mass: 0.2 kg
- Mounting: Free-standing or Surface Mounted
- Country of Manufacture: United Kingdom

Power & Electrical

- Input Voltage: 9VDC
- Input Connector: DC Jack
- Input Power (max): 5W
- Duty Cycle: 80% @ 25°C
- DC fuse: internal resettable fuse for control electronics

Environmental

- Operating Temperature: 0°C to 40°C
- Storage Temperature: -10°C to +50°C
- Operating Relative Humidity (max): 80% Non-Condensing
- IP Rating: IP20 Indoor Use Only
- Certification: CE, WEEE, RoHS
- Warranty: 2 Year (Return to Base)

LED Indication

- Power / Data



Control / Data connections

- Control: 1 Port DMX Booster / Buffer with data fixing
- Input Protocols:
 - DMX512, DMX512(1990), DMX512-A
 - RDM V1.0 (E1.20 - 2006 ESTA Standard)
- Input Connector: 5pin Male XLR
- Output Protocols: DMX512, DMX512(1990), DMX512-A
- Output Connector: 5pin Female XLR

DMX input & output protection

- Input mode: Ground Referenced
- Input isolation: n/a
- Input ESD protection: 12 kV
- Input voltage protection: n/a
- Output mode: Buffered
- Output isolation: n/a
- Output ESD protection: 10 kV
- Output voltage protection: n/a

Package Contents

- DMX-Clarify XLR
- User Guide

Ordering Info

Product Code:

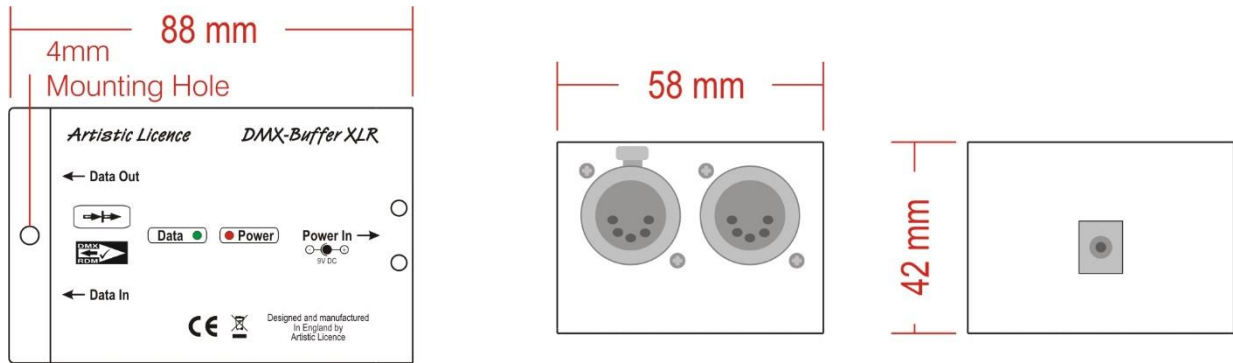
DMX-Clarify XLR

Accessories (not included):

PSU-9-1.5-DCJ

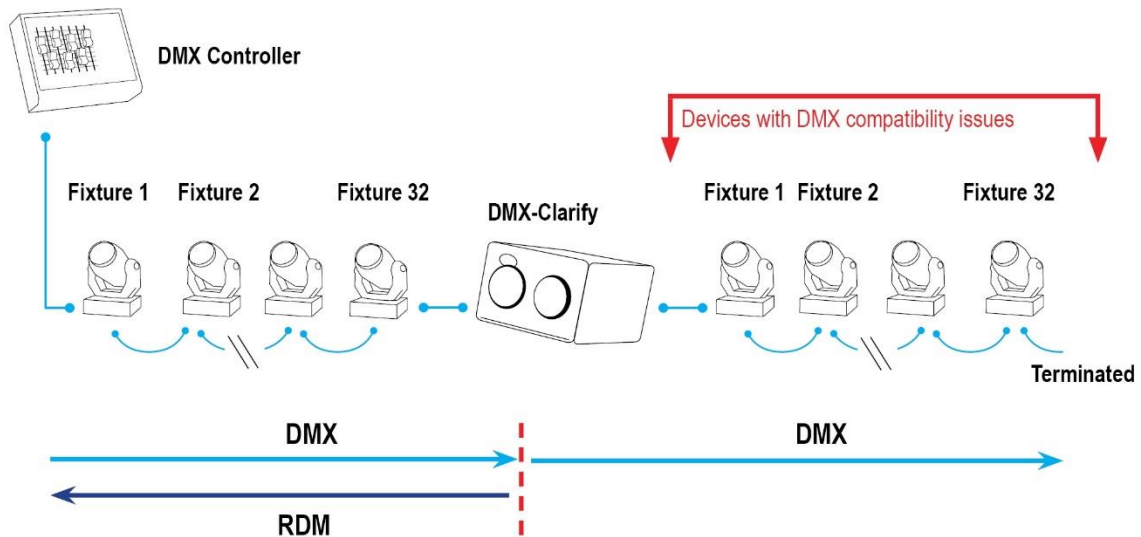


Mounting Drawing



Application Drawing

In the diagram below, DMX-Clarify is used as an in-line buffer to provide a filtered DMX signal to a group of fixtures that cannot handle RDM.



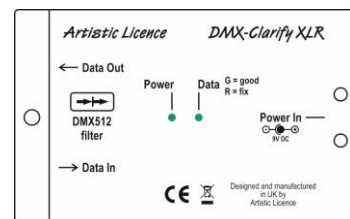
Artistic Licence Engineering Ltd

Studio 1, Spectrum House
32-34 Gordon House Road
London, NW5 1LP
United Kingdom

Telephone +44 (0)20 8863 4515
Fax +44 (0)20 8426 0551
Email: Sales@ArtisticLicence.com
www.ArtisticLicence.com

Customer support and knowledge base:
www.ArtisticLicence.com/support.html

All products are covered from date of purchase by a two-year return to base warranty.



Due to our policy of continuing product improvement, specifications are subject to change without notice.

Artistic Licence

DMX-Clarify XLR