



Colour-Tramp

Category

D) Lighting Controllers

Description

A lighting control system specifically designed to handle the complexity of two and three dimensional lighting arrays



System Features

- Memory Page System
- Sequences built from Memories
- 10 Simultaneous Sequence Playbacks
- Sequences Triggered from Macros or Stacks
- Stacks is a Condition Sequence
- Macros are standalone Trigger Points
- Conditions are Referenced Triggers
- Live Video Playback
- Offline version 'Free to Use'
- Visualisation Mode

PC Specification

- Windows XP (32 or 64 bit)
- Windows 7 (32 or 64 bit)
- Upgrades: Free upgrades via www.artisticlicence.com
- DMX-Workshop is required

Tools & Wizards

- Grid Layout Wizard
- RDM Patching, Visual RDM Patching
- Fill, Gradient & Animation Tools for Memory Programming
- Video and Image Import

Run-Time Features

- RDM Monitoring and Reporting
- Daily Reporting Email
- Automatic Start-up Options
- Internal Variables
- Export to Light / Dimmer-Switch & Sign-Control
- Live Programming / Offline Programming
- Fixture Library
- Sound file Playback
- Background Graphic Import
- Automatic Time Code Tracking

Control

- Input Protocols:
 - Art-Net II
 - RDM V1.0 (E1.20 - 2006 ESTA Standard) (via Art-Net)
 - MIDI / RS232 / Windows Video Source
- Output: Up to 250 Universes
- Output Protocols:
 - Art-Net V1.4
 - Emails
- Configuration: Art-Net Compatible

Input Triggers

- Time, Date, Astronomical Clock
- RS232 / MIDI / Time Code
- DMX Channels, Art-Net & Art-Net Macros
- Function Keys, Emails, Internal Variables

Package Contents

- Colour-Tramp USB Security Key
- Software CD
- User Guide

Ordering Info

Product Code:

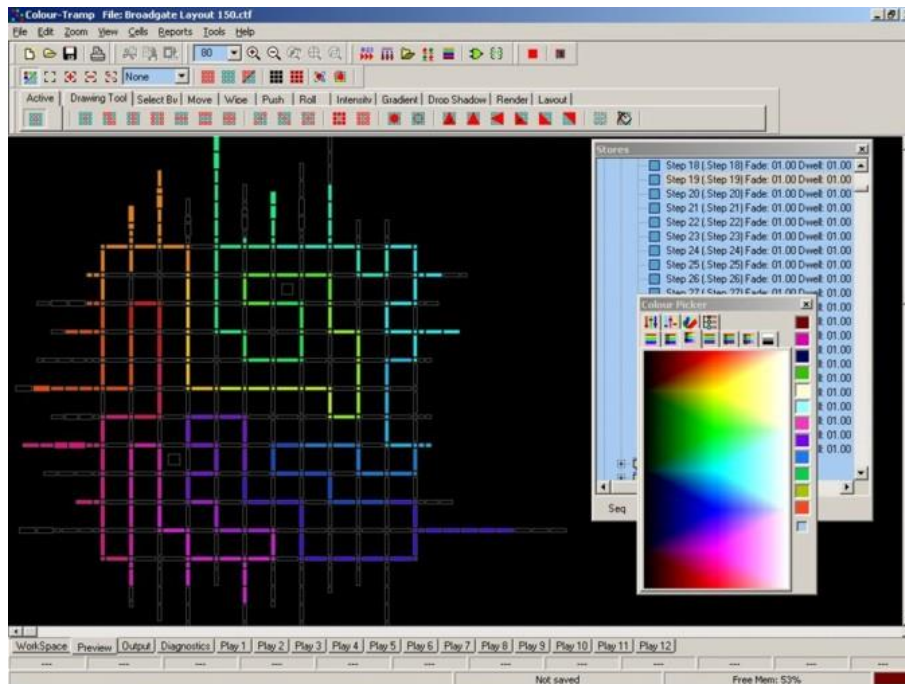
- Colour-Tramp 1U
- Colour-Tramp 2U
- Colour-Tramp 4U
- Colour-Tramp 8U
- Colour-Tramp 20U
- Colour-Tramp 40U
- Colour-Tramp SL - 250U

Accessories (not included):

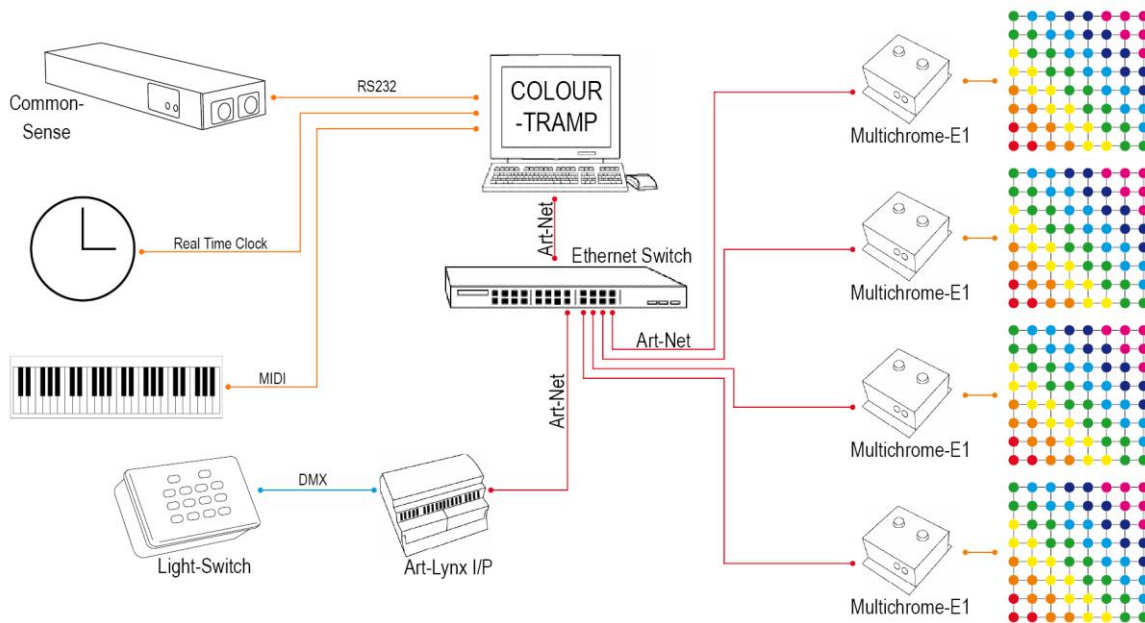
- Colour-Tramp PC
- Art-Net to DMX Converter



Screenshot



Wiring Drawing



Artistic Licence Engineering Ltd

Studio 1, Spectrum House
32-34 Gordon House Road
London, NW5 1LP
United Kingdom

Telephone +44 (0)20 8863 4515
Fax +44 (0)20 8426 0551

Email: Sales@ArtisticLicence.com
www.ArtisticLicence.com

Customer support and knowledge base:
www.ArtisticLicence.com/support.html

All products are covered from date of purchase by a two-year return to base warranty.

Due to our policy of continuing product improvement, specifications are subject to change without notice.

Artistic Licence

Colour-Tramp