



Art-Pipe

Category

A2) LED - Constant Voltage

Description

Art-Net or sACN ethernet controlled, 24 channel LED low voltage dimmer



Mechanical

- Housing: DIN Rail Case
- Material: Polycarbonate Plastic - UL94-V0 rated
- Overall Dimensions: 160mm (W) x 110mm (H) x 62mm (D)
- Mass: 0.34kg
- Mounting: DIN Rail (35mm) or Surface Mount
- Country of Manufacture: United Kingdom

Power & Electrical

- Input Voltage: 12 - 24 VDC
- Input Connector: 2-pin pluggable screw terminal
- Input Power (max): 220W
- Duty Cycle: 80% at 25°C
- DC fuse: Internal resettable fuse for control electronics

Environmental

- Operating Temperature: 0°C to 40°C
- Storage Temperature: -10°C to +50°C
- Operating Relative Humidity (max): 80% Non-Condensing
- IP Rating: IP20 Indoor Use Only
- Certification: CE FCC, WEEE, RoHS
- Warranty: 2 Year (Return to Base)

Configuration / Indication

- Remote: Web-Browser / DMX-Workshop
- Manual: Wheels / Jumpers
- Configurable settings include: Net, Sub-Net, Universe, IP address (DHCP), ROM boot, RDM disable
- LED indication: Power / Data Activity

Control / Data Connection

- Input Protocols: Art-Net, sACN
- Ethernet Connector: (1) RJ45 supports 10BaseT, isolated to 1 kV

Outputs

- Dimming: Constant Voltage, 24 channels (8 RGB circuits)
- Output Connector: (8) 4-pin screw terminals (RGB connection)
- Voltage: identical to input voltage
- Max Current per RGB circuit: 2A @ 24V
- Max Current per product: 10A @ 24V (i.e. 1.25A per RGB circuit if all channels equally loaded)
- Modulation: Random pulse modulation
- Protection: Short-circuit protected / internal resettable fuse

Package Contents

- Art-Pipe
- User Guide
- Jumpers (for configuration pins)

Ordering Info

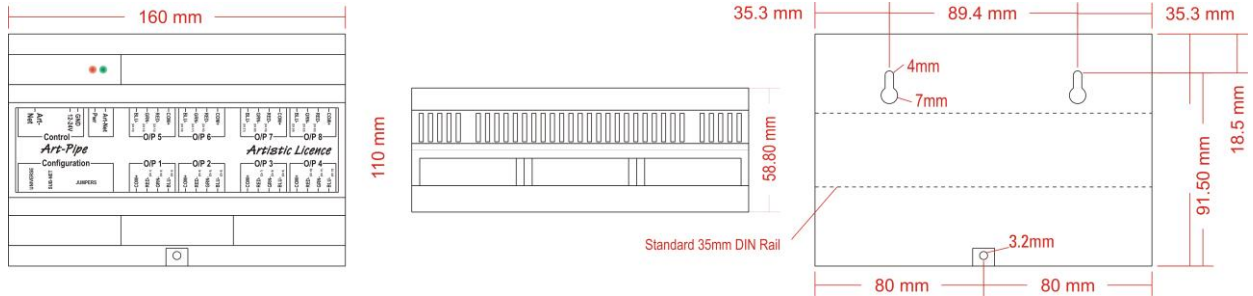
Product Code: Art-Pipe

Accessories (not included):

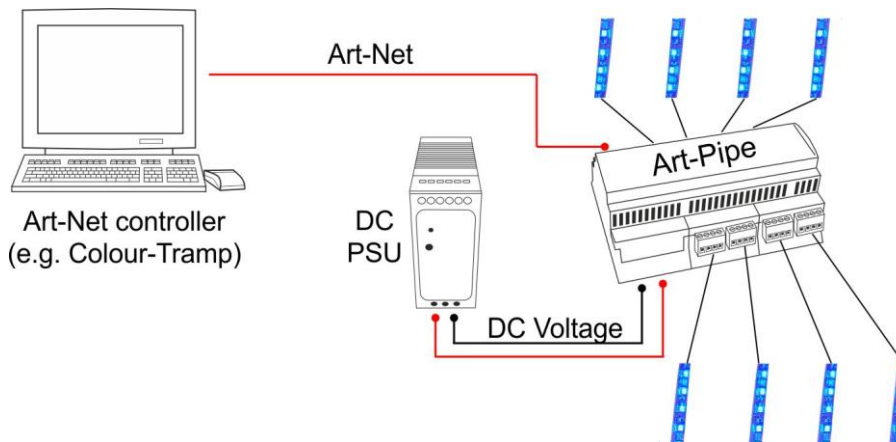
PSU-24-10-DR (powers 1 unit)



Mounting Drawing



Application Drawing



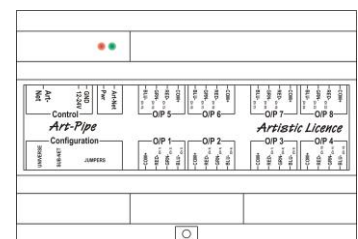
Artistic Licence Engineering Ltd

Studio 1, Spectrum House
32-34 Gordon House Road
London, NW5 1LP
United Kingdom

Telephone +44 (0)20 8863 4515
Fax +44 (0)20 8426 0551
Email: Sales@ArtisticLicence.com
www.ArtisticLicence.com

Customer support and knowledge base:
www.ArtisticLicence.com/support.html

All products are covered from date of purchase by a two-year return to base warranty.



Due to our policy of continuing product improvement, specifications are subject to change without notice.

Artistic Licence

Art-Pipe