



Art-Lynx O/P

Category

C) Ethernet and Art-Net

Description

Two universe Art-Net to DMX512 & RDM (or sACN to DMX512) converter



Mechanical

- Housing: DIN Rail Case
- Material: Polycarbonate Plastic - UL94-V0 rated
- Overall Dimensions: 106mm (W) x 110mm (H) x 62mm (D)
- Mass: 0.22kg
- Mounting: DIN Rail (35mm) or Surface Mount
- Country of Manufacture: United Kingdom

Power & Electrical

- Input Voltage: 9-48 VDC
- PoE supported
- Input Connector: 2-pin pluggable screw terminal
- Input Power (max): 2W
- Duty Cycle: 80% @ 25°C
- DC fuse: Internal resettable fuse for control electronics

Environmental

- Operating Temperature: 0°C to 40°C
- Storage Temperature: -10°C to +50°C
- Operating Relative Humidity (max): 80% Non-Condensing
- IP Rating: IP20 Indoor Use Only
- Certification: CE FCC, WEEE, RoHS
- Warranty: 2 Year (Return to Base)

Configuration / Indication

- Remote: Web-Browser / DMX-Workshop
- Manual: Wheels / Jumpers
- Configurable settings include: Net, Sub-Net, Universe, IP address (DHCP), DMX profile, ROM boot, RDM Disable
- LED Indication: Power / Ethernet Link / DMX Activity

Control / Data Connections

- Control: 2 Universes (output)
- Input Protocols: Art-Net, sACN
- Ethernet Connector: (1) RJ45 supports 10BaseT and PoE, isolated to 1 kV
- Output Protocols: DMX512, DMX512 (1990), DMX512-A, RDM V1.0 (E1.20 - 2006 ESTA Standard)
- DMX Connector: (2) 3-pin screw terminal (2.5mm² max wire size)

DMX512 Outputs

- Output mode: ground referenced
- Output isolation: n/a
- Output ESD protection: 12 kV
- Output voltage protection: +/- 80 V
- Output conditioning: slew-rate limited

Package Contents

- Art-Lynx O/P
- User Guide
- Jumpers (for configuration pins)

Ordering Info

Product Code: Art-Lynx O/P

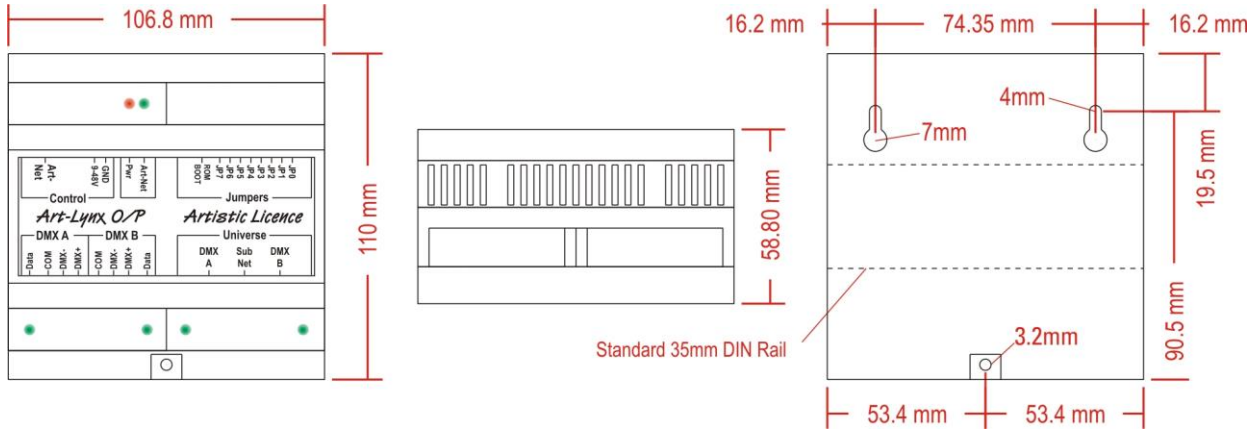
Accessories (not included):

PSU-24-2.5-DR (powers up to 2 units)

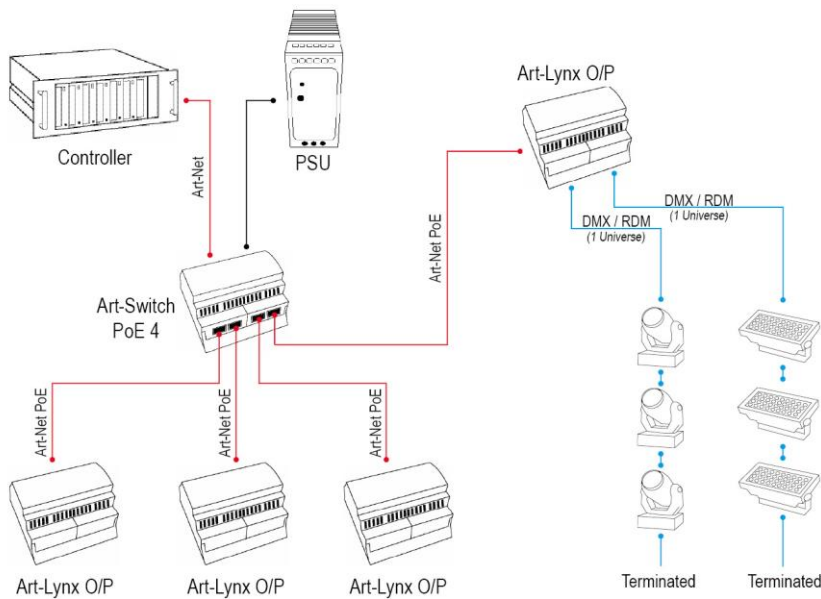
Art-Switch PoE4 & PSU-48-1-DR (powers up to 4 units)



Mounting Drawing



Application Drawing



Artistic Licence Engineering Ltd

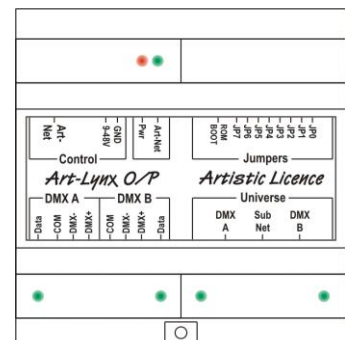
Studio 1, Spectrum House
32-34 Gordon House Road
London, NW5 1LP
United Kingdom

Telephone +44 (0)20 8863 4515
Fax +44 (0)20 8426 0551
Email: Sales@ArtisticLicence.com
www.ArtisticLicence.com

Customer support and knowledge base:
www.ArtisticLicence.com/support.html

All products are covered from date of purchase by a two-year return to base warranty.

Due to our policy of continuing product improvement, specifications are subject to change without notice.



Artistic Licence

Art-Lynx O/P