



Rail-Patch XLR5F

Category

F) Interface Products

Description

XLR 5pin (Female) connector to screw terminal contacts



Mechanical

- Housing: DIN Rail Case
- Material: Polyamide 66 - UL94-V0 rated
- Overall Dimensions: 82mm (H) x 34mm (W) x 54mm (D)
- Mass: 0.1kg
- Mounting: 35mm DIN Rail
- Country of Manufacture: United Kingdom

Control

- n/a

Electrical

- n/a

Isolation / Protection

- n/a

Environmental

- IP Rating: IP20 Indoor Use Only
- Certification: CE FCC, WEEE, RoHS
- Warranty: 2 Year (Return to Base)

Package Contents

- Rail-Patch XLR5M

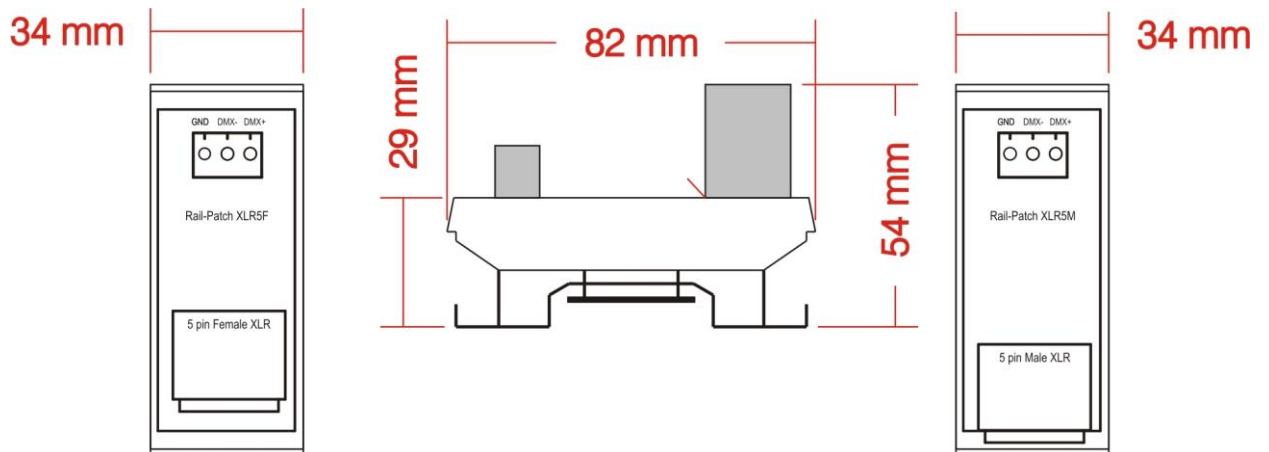
User Interface / Indication

- Connections:
 - (1) 3pin Screw Terminal DMX Input
 - (1) 5pin Female XLR DMX Output

Ordering Info

Product Code: Rail-Patch XLR5M

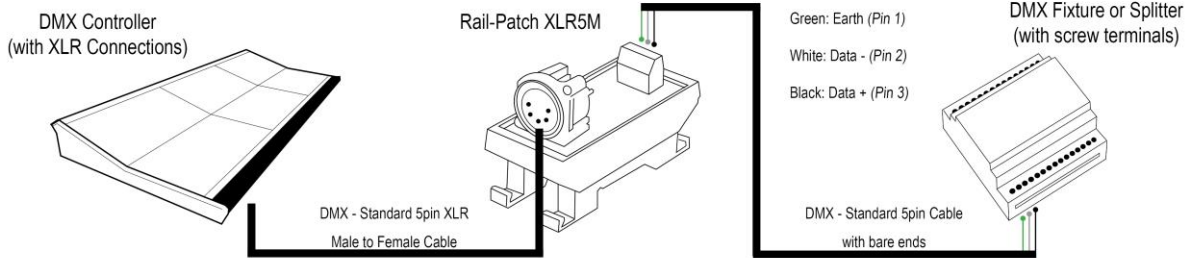
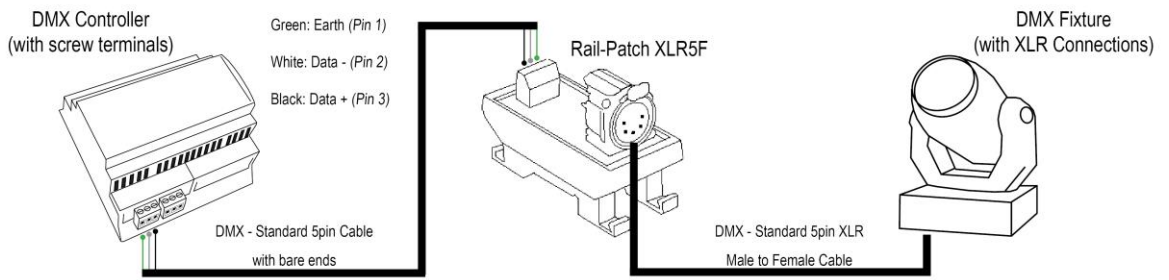
Mounting Drawing



Artistic Licence



Wiring Drawing



Artistic Licence Engineering Ltd

Studio 1, Spectrum House
32-34 Gordon House Road
London, NW5 1LP
United Kingdom

Telephone +44 (0)20 8863 4515
Fax +44 (0)20 8426 0551

Email: Sales@ArtisticLicence.com
www.ArtisticLicence.com

Customer support and knowledge base:
www.ArtisticLicence.com/support.html

All products are covered from date of purchase by a two-year return to base warranty.

Due to our policy of continuing product improvement, specifications are subject to change without notice.

Artistic Licence

Rail-Patch XLR5F